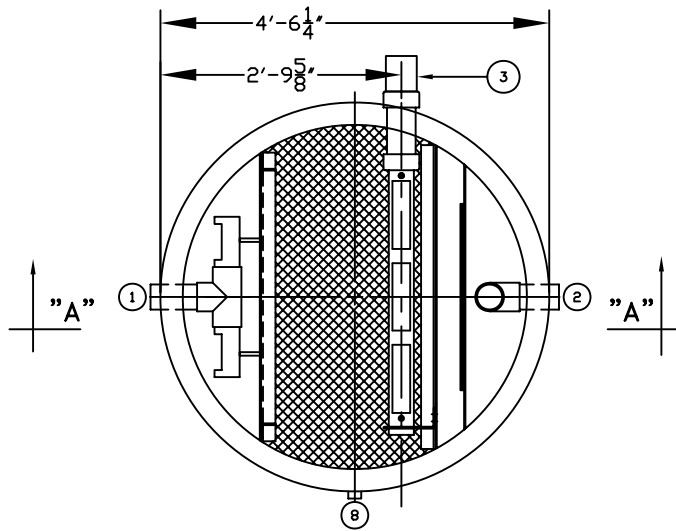


NOTES

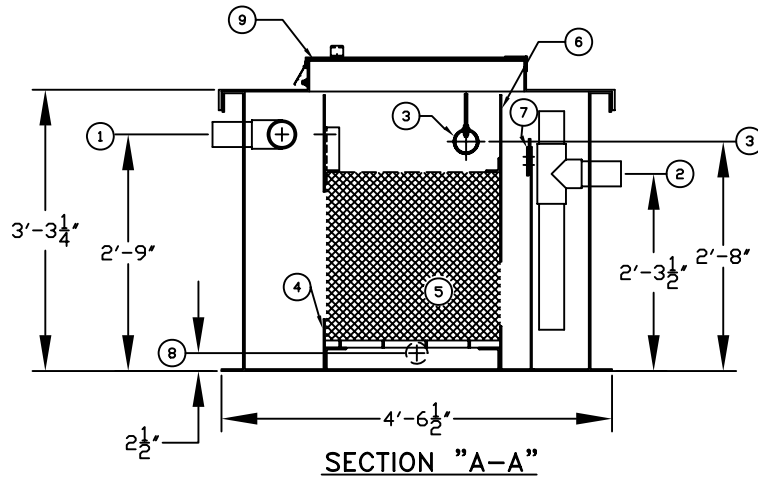
1. WITHOUT WRITTEN CONSENT FROM AFL INDUSTRIES, INC., DO NOT:
 - A. DRILL HOLES OR OTHERWISE PUNCTURE THE FIBERGLASS SKINS OF THE UNIT.
 - B. MOUNT ANY EQUIPMENT OR ACCESSORY ON THE UNIT.
 - C. REMOVE ANY EQUIPMENT OR ACCESSORY FROM THE UNIT.
 - D. FLOOD THE UNIT OR RESTRICT THE OUTFLOWS.
2. AFL REQUIRES A FLEXIBLE COUPLING TO BE INSTALLED BETWEEN THE TANK AND CUSTOMER'S CONNECTING PIPES TO ELIMINATE EXCESSIVE LOADING ON TANK FLANGES.
3. DIMENSIONAL TOLERANCE $\pm 1/2"$.
4. ALL TANK FLANGES FURNISHED BY AFL ARE 150# FLAT FACE FLANGES.
5. ALL NOZZLE PROJECTIONS ARE 4" UNLESS NOTED OTHERWISE.
6. ALL FLANGE BOLT HOLE PATTERNS TO STRADDLE CENTERLINES.

ASSEMBLY LIST

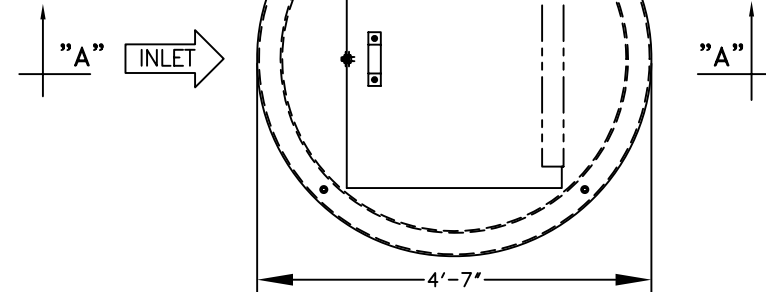
- ① 3" ϕ INLET, PIPE STUB
- ② 3" ϕ OUTLET, PIPE STUB
- ③ 3" ϕ ROTARY PIPE SKIMMER/OIL OUTLET, PIPE STUB
- ④ INLET BAFFLE
- ⑤ VERTICAL TUBE COALESCERS
- ⑥ OIL RETENTION BAFFLE
- ⑦ WEIR WALL
- ⑧ 1" ϕ DRAIN COUPLING, FNPT W/ PLUG
- ⑨ 2'-6" x 3'-0" MANWAY




PLAN W/O LID



SECTION "A-A"



PLAN W/ LID

 AFL INDUSTRIES, INC. 1751 WEST 10TH STREET, RIVIERA BEACH, FLA. 33404		
SCALE: NONE	<small>THIS DRAWING AND SPECIFICATION IS THE PROPERTY OF AFL INDUSTRIES, 1751 WEST 10TH STREET, RIVIERA BEACH, FLA. 33404 AND SHALL NOT BE REPRODUCED WITHOUT WRITTEN PERMISSION.</small>	DRAWN BY: BRB
DATE: 7/26/02		CHECKED BY:
MODEL: CVF-4A-305-20-S-0		AFL-JOB No. AFL-STD
JOB: AFL INDUSTRIES	DRAWING No. 3S2125	
		FILE: 4-305-20 4/26/98