

UNI-SPRAY

- PIPE SADDLE SELECTION GUIDE -

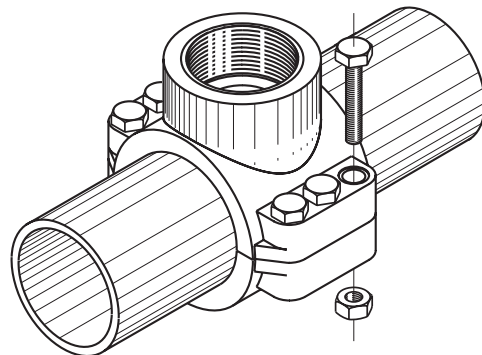
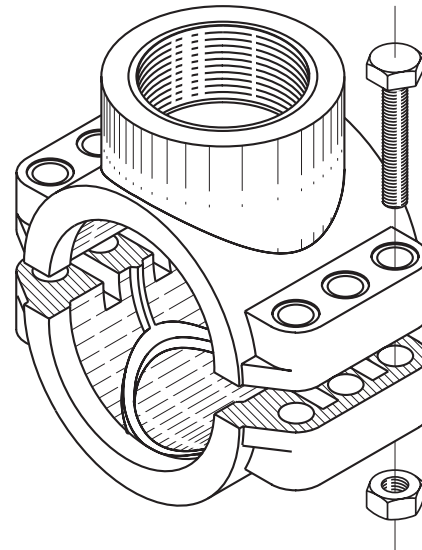
The Uni-Spray Pipe Saddle...

is a high-quality injection-moulded pipe fitting which can be installed on an existing pipe in less than two minutes. It is made of pure masterbatched polypropylene, and is highly resistant to a wide range of caustic and acid based chemicals. It is guaranteed to operate effectively at pressures up to 10.3 bar (150 psi) in temperatures from 0° - 80° C (32° - 180° F).

This design has been burst-pressure tested up to 86 bar (1250 psi) by the Center for Irrigation Technology at Fresno State University. A compression seal o-ring ensures proper sealing. See page 3 - 3 for a complete listing.

The Uni-Spray Pipe Saddle is well suited for use on I.P.S. outer dimension PVC, CPVC, stainless steel and black iron pipe. The Saddle will fit Schedule 40, Schedule 80, and SDR 13.5 through 64 pipe. Moreover, it also fits a variety of polyethylene and polybutylene pipe applications. These Saddles are available in 25 mm (1") through 150 mm (6") mainline pipe sizes, with a wide assortment of take-off sizes.

Pipe Saddles eliminate the high cost of back welding female couplers to thermoplastic, steel or iron pipes, and are completely compatible with our Uni-Spray Quik-Disconnect couplers.

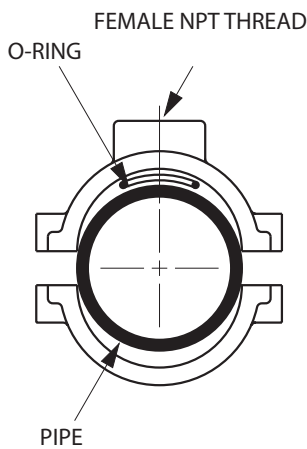
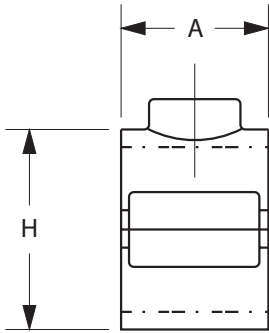
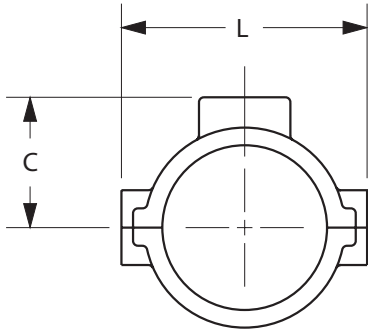


Available Sizes...

Refer to the chart below. Available combinations are indicated with an 'X'.

		HEADER PIPE SIZE							
		1"	1 1/4"	1 1/2"	2"	2 1/2"	3"	4"	6"
TAKE-OFF SIZE	1/2"	X	X	X					
	3/4"	X	X	X					
	1"		X	X	X	X	X	X	X
	1 1/4"				X	X	X	X	X
	1 1/2"				X	X	X	X	X
	2"						X	X	X

PIPE SADDLE DIMENSIONS



PART NO.	PIPE SIZE	TAKE-OFF	"L"	"H"	"C"	"A"
100SAD050	1"	1/2"	3.110	1.654	1.575	1.929
100SAD075	1"	3/4"	3.110	1.654	1.575	1.929
125SAD050	1 1/4"	1/2"	3.386	2.047	1.772	2.441
125SAD075	1 1/4"	3/4"	3.386	2.047	1.772	2.441
125SAD100	1 1/4"	1"	3.386	2.047	1.772	2.441
150SAD050	1 1/2"	1/2"	3.386	2.441	1.969	2.441
150SAD075	1 1/2"	3/4"	3.386	2.441	1.969	2.441
150SAD100	1 1/2"	1"	3.386	2.441	1.969	2.441
200SAD100	2"	1"	3.976	3.031	2.283	2.441
200SAD125	2"	1 1/4"	3.976	2.953	2.283	2.441
200SAD150	2"	1 1/2"	3.976	2.953	2.283	2.441
250SAD100	2 1/2"	1"	4.567	3.504	2.598	3.031
250SAD125	2 1/2"	1 1/4"	4.567	3.504	2.598	3.031
250SAD150	2 1/2"	1 1/2"	4.567	3.504	2.598	3.031
300SAD100	3"	1"	5.197	4.173	3.031	3.425
300SAD125	3"	1 1/4"	5.197	4.173	3.031	3.425
300SAD150	3"	1 1/2"	5.197	4.173	3.031	3.425
300SAD200	3"	2"	5.197	4.173	3.031	3.425
400SAD100	4"	1"	6.772	5.512	3.701	3.976
400SAD125	4"	1 1/4"	6.772	5.512	3.701	3.976
400SAD150	4"	1 1/2"	6.772	5.512	3.701	3.976
400SAD200	4"	2"	6.772	5.512	3.701	3.976
600SAD100	6"	1"	9.325	7.550	5.260	6.615
600SAD125	6"	1 1/4"	9.325	7.550	5.260	6.615
600SAD150	6"	1 1/2"	9.325	7.550	5.260	6.615
600SAD200	6"	2"	9.325	7.550	5.260	6.615

PIPE SADDLE INSTALLATION INSTRUCTIONS

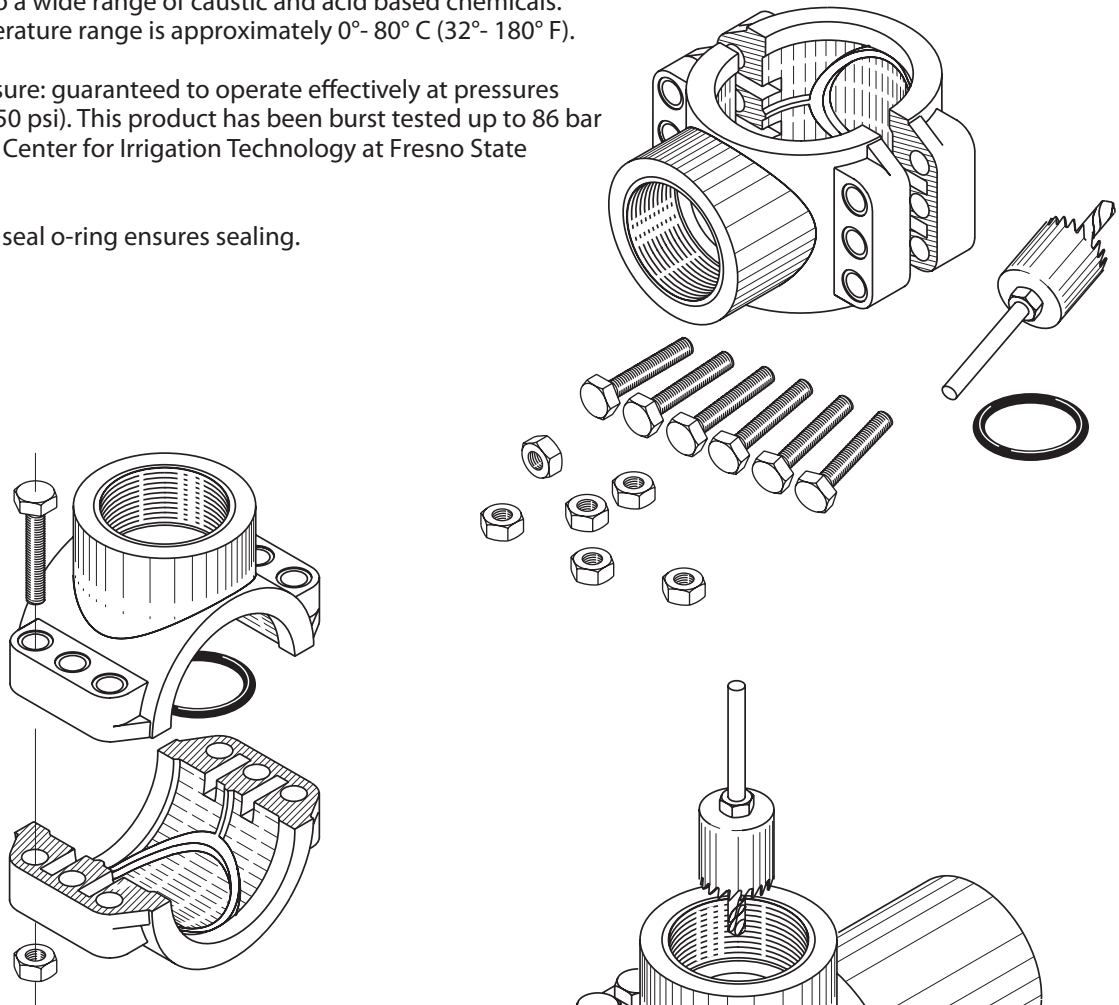
Product Advantages:

A) The use of Pipe Saddles eliminates the higher cost of back welding female couplers to thermoplastic pipe, and simplifies on-site installation and repairs.

B) Raw material is made from pure masterbatch polypropylene, and is resistant to a wide range of caustic and acid based chemicals. Operating temperature range is approximately 0°- 80° C (32°- 180° F).

C) Working pressure: guaranteed to operate effectively at pressures up to 10.3 bar (150 psi). This product has been burst tested up to 86 bar (1250 psi) by the Center for Irrigation Technology at Fresno State University.

D) Compression seal o-ring ensures sealing.



To Assemble:

- 1) Place the o-ring into saddle;
- 2) Position the saddle on the pipe;
- 3) Install the lower half and fasteners and partially tighten the bolts;
- 4) Check the saddle position and level and adjust if necessary, and then tighten the bolts evenly;
- 5) Drill a hole in the pipe through the saddle takeoff;
- 6) Install the connecting pipe or Quik-Disconnect® fitting.

