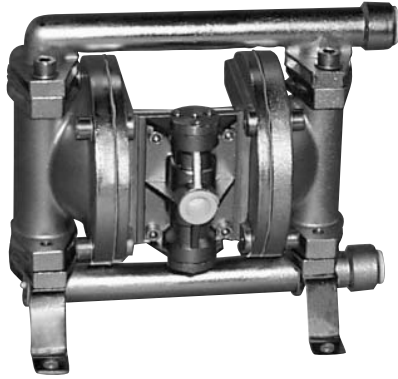


**WARREN
RUPP®**

Quality System
ISO9001 Certified

Environmental
Management System
ISO14001 Certified

IDEX
FLUID & METERING



SANDPIPER®

A WARREN RUPP PUMP BRAND

**E02 Metallic
X02 Metallic (ATEX Compliant)**



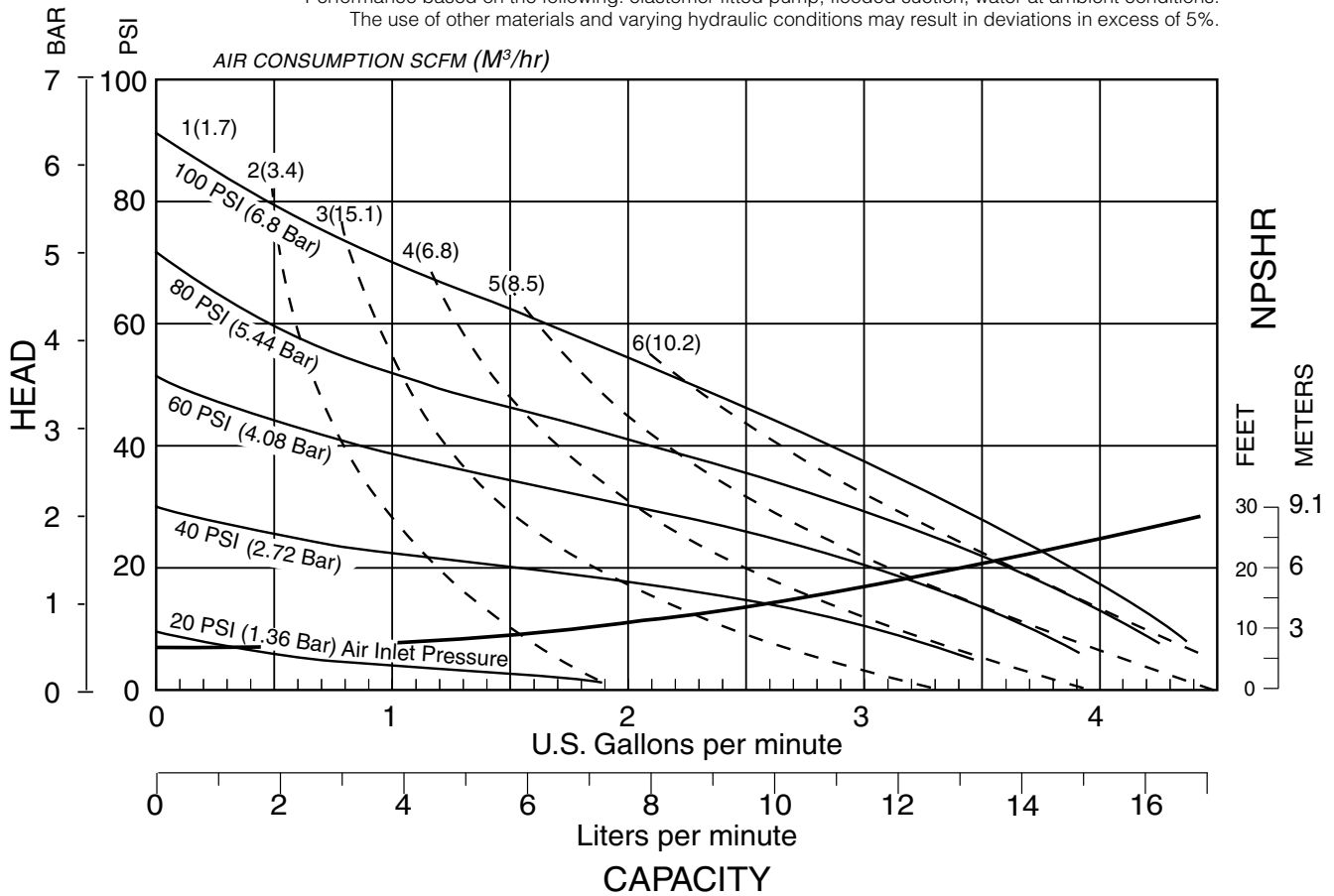
**Design Level 4
Ball Valve
Air-Operated
Double Diaphragm Pump**

ENGINEERING, PERFORMANCE
& CONSTRUCTION DATA

INTAKE/DISCHARGE PIPE SIZE ¼" BSP Parallel	CAPACITY 0 to 4.4 gallons per minute (0 to 16.6 liters per minute)	AIR VALVE Non-stall design	SOLIDS-HANDLING Up to .079 in. (2 mm)	HEADS UP TO 125 psi or 289 ft. of water (8.6 bar or 86 meters)	DISPLACEMENT/STROKE .003 Gallon / .01 liter
---	--	----------------------------------	--	--	--

MODEL E02/X02 Metallic Performance Curve

Performance based on the following: elastomer fitted pump, flooded suction, water at ambient conditions.
The use of other materials and varying hydraulic conditions may result in deviations in excess of 5%.



SANDPIPER® pumps are designed to be powered only by compressed air.

E02/X02 Metallic • Design Level 4• Ball Valve

MODEL	Pump Brand	Pump Size	Check Valve Type	Design Level	Wetted Material	Diaphragm/Check Valve Materials	Check Valve Seat	Non-Wetted Material Options	Porting Options	Pump Style	Pump Options	Kit Options	Shipping Weight lbs. (kg)
E02B4SYSSNS000.	E	02	B	4	S	Y	S	S	B	S	0	00.	8.8 (4)
E02B4SZSSNS000.	E	02	B	4	S	Z	S	S	B	S	0	00.	8.8 (4)
X02B4SYSSNS000.	X	02	B	4	S	Y	S	S	B	S	0	00.	8.8 (4)
X02B4SZSSNS000.	X	02	B	4	S	Z	S	S	B	S	0	00.	8.8 (4)

Pump Brand
E=SANDPIPER Metallic
X= ATEX Compliant

Design Level
4= 4th Design

Diaphragm/Check Valve Materials
5=PTFE-Nitrile
One-Piece/PTFE
6=PTFE-Nitrile
One-Piece/Stainless Steel
Y=Polyester backup/TFE/TFE
Z=Polyester backup/TFE/
Stainless Steel

Check Valve Seat
S=Stainless Steel

Pump Style
S=Standard

Pump Size
02=¼"

Wetted Material
S=Stainless Steel

Non-Wetted Material Options
S=Stainless Steel

Pump Options
0=None

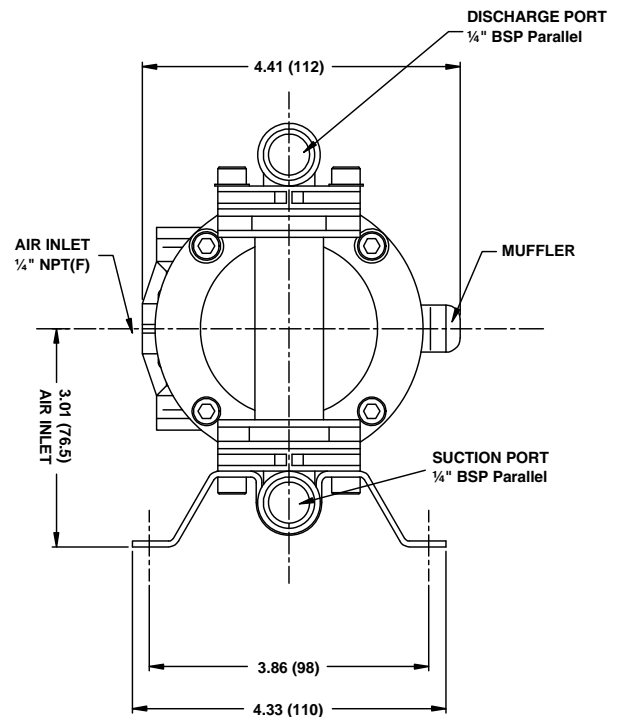
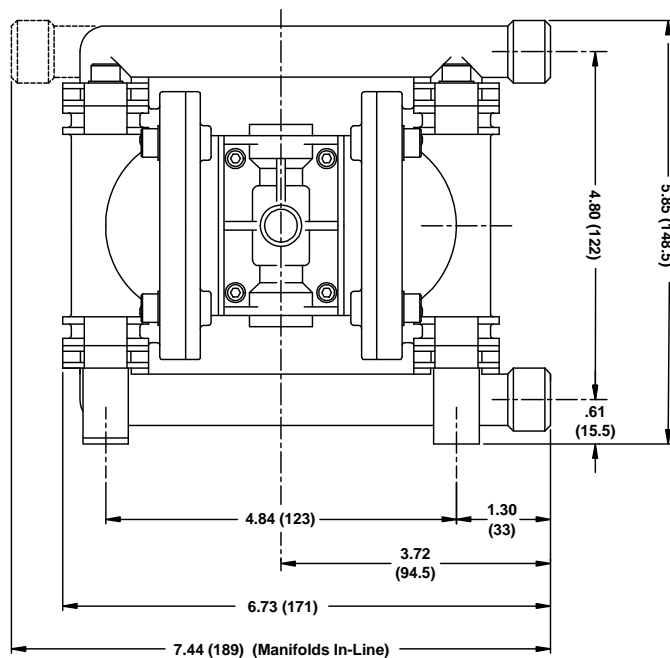
Check Valve Type
B=Ball

Porting Options
B=BSP Parallel

Kit Options
00.=None

Dimensions: E02/X02

Dimensions in inches (metric)



Materials

Virgin PTFE Chemically inert, virtually impervious. Very few chemicals are known to react chemically with PTFE: molten alkali metals, turbulent liquid or gaseous fluorine and a few fluoro-chemicals such as chlorine trifluoride or oxygen difluoride which readily liberate free fluorine at elevated temperatures.

Operating Temperatures
Maximum Minimum

220°F
104°C

-35°F
-37°C

For specific applications, always consult The Warren Rupp Chemical Resistance Chart

©Copyright 2009 IDEX AODD, Inc. All rights reserved.

Warren Rupp® and SANDPIPER® are registered tradenames of IDEX AODD, Inc.