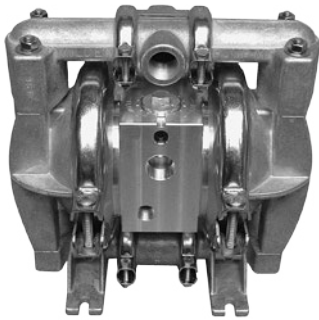


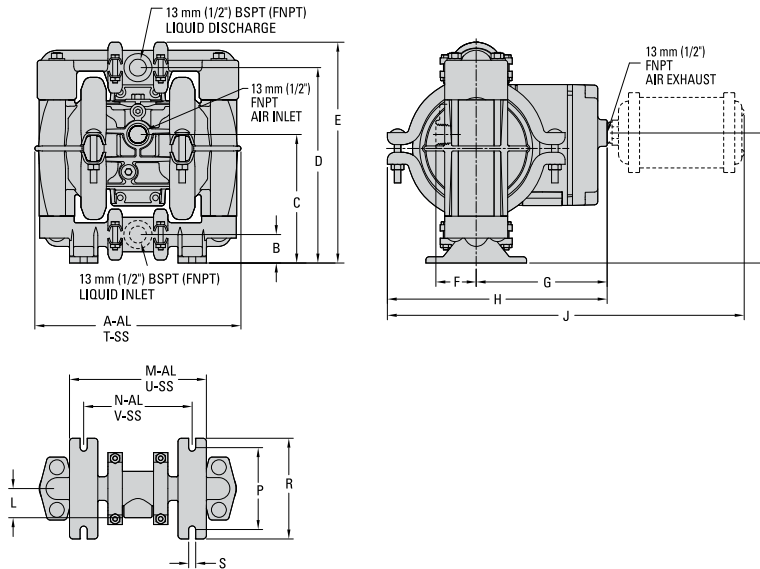
## GPX1 CSA-CERTIFIED METAL PUMP

**13 mm (1/2") Pump**  
**Maximum Flow Rate:**  
**61.7 lpm (16.3 gpm)**



### DIMENSIONAL DRAWING

#### GPX1 Metal



### DIMENSIONS

ITEM	METRIC (mm)	STANDARD (inch)
A	208	8.2
B	28	1.1
C	130	5.1
D	198	7.8
E	224	8.8
F	41	1.6
G	132	5.2
H	221	8.7
J	361	14.2
K	132	5.2
L	30	1.2
M	137	5.4
N	109	4.3
P	84	3.3
R	102	4
S	8.0	0.3
T	203	8.0
U	142	5.6
V	112	4.4

LW0058 REV. A

### PUMP DATA

#### Specifications:

Height.....224 mm (8.8")  
 Width.....208 mm (8.2")  
 Depth.....221 mm (8.7")  
 Ship Weight.....Aluminum 6 kg (13 lb)  
                                   316 Stainless Steel 9 kg (20 lb)  
 Air Inlet.....13 mm (1/2")  
 Liquid Inlet.....13 mm (1/2")  
 Liquid Outlet.....13 mm (1/2")

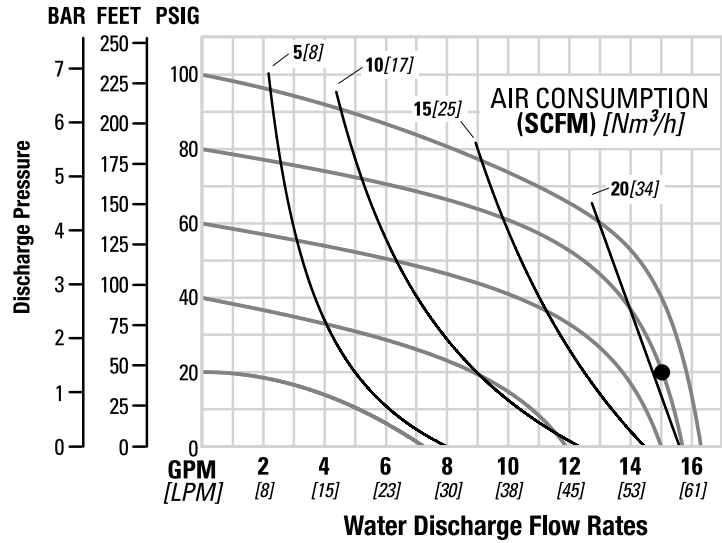
## GPX1 CSA-CERTIFIED METAL PUMP

### PERFORMANCE

#### GPX1 METAL RUBBER-FITTED

Max. Flow Rate.....61.7 lpm (16.3 gpm)  
 Max. Inlet Pressure .....6.9 bar (100 psig)  
 Max. Solids Passage..... 1.6 mm (1/16")  
 Max. Suction Lift.....5.9 m Dry (19.3')  
   7.9 m Wet (26.1')

**PERFORMANCE CURVE**



**EMS CURVE**

