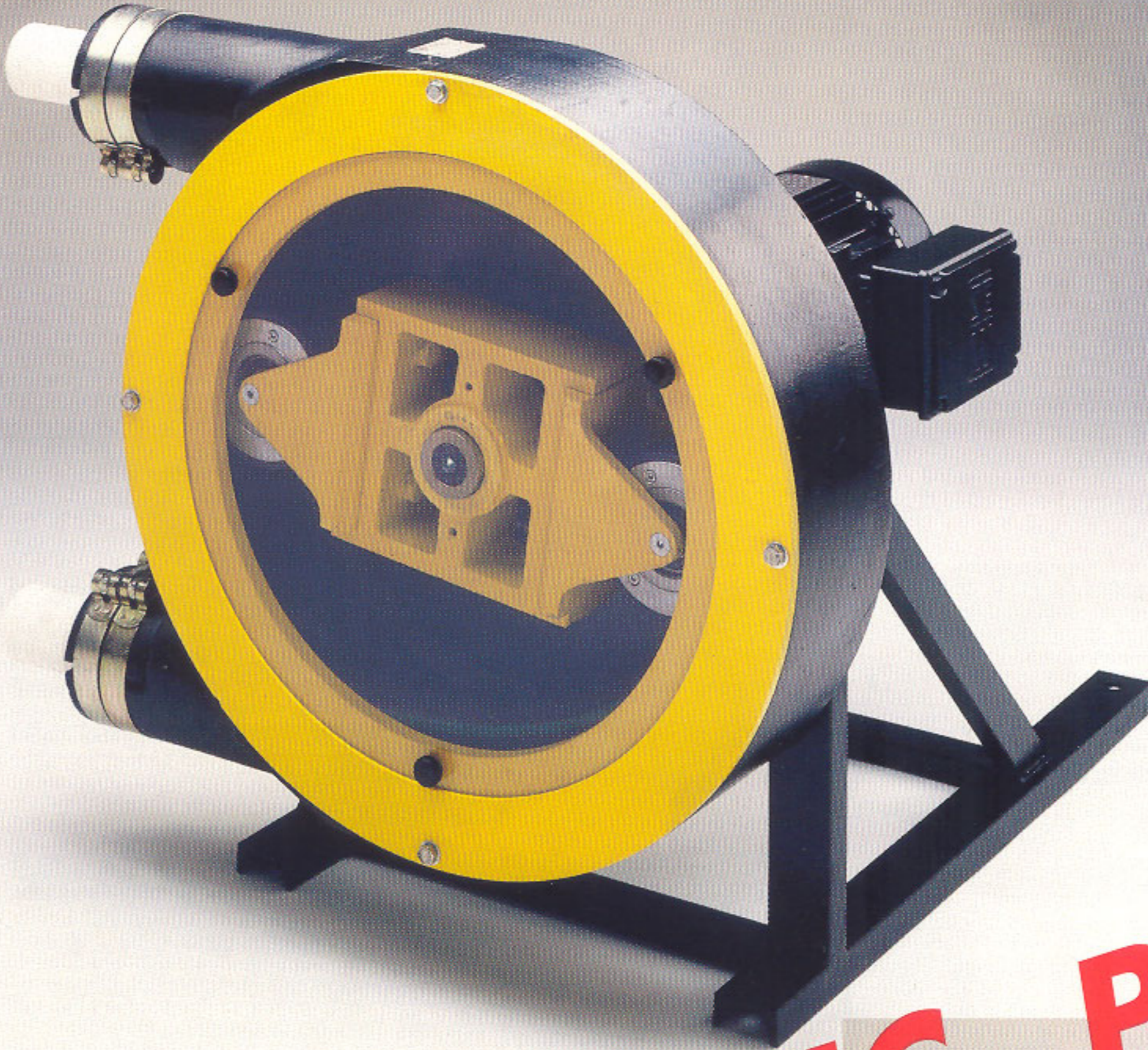


VECTOR

S E R I E S P U M P S



PERISTALTIC PUMPS

Ideal for:

- *High viscosity fluids*
- *Aggressive and corrosive fluids*
- *High purity solutions*



VECTOR PERISTALTIC PUMPS

Designed specifically for ...

- *High viscosity fluids*
- *Aggressive and corrosive fluids*
- *High purity solutions*

Vector Series Peristaltic Pumps Set a New Standard for Tough Fluid Processing Applications

The versatile VECTOR peristaltic pump gives you pumping options you can't get from standard positive displacement or centrifugal industrial pumps. The VECTOR pump is designed to handle the high viscosity fluids commonly found in industrial processing. Whether these fluids are pasty, pulpy or just plain thick, the VECTOR peristaltic pump can reliably start, stop and continuously pump such fluids at a wide range of pressures and flows.

The pumping action is powerful, but will not break up delicate emulsions or cause excessive frothing of dissolved gases. With no cups, seals or packing to come in direct contact with the pumped fluids, the VECTOR peristaltic pump is ideal for pumping high purity fluids or fluids corrosive enough to require complete isolation from contact with mechanical parts of the fluid transport system.



Industries Served by Vector Series Pumps

- Waste water and water treatment
- Chemical processing
- Petrochemicals
- Pulp and paper
- Ceramics
- Mining
- Paints and coatings
- Dairy processing
- Pharmaceuticals
- Cosmetics



Features

- Dry pump cavity
- Self-priming operation
- Runs dry without damage
- Complete isolation of pumped fluid
- Heavy-duty roller bearings
- Wide range of pump configurations/flows
- No cups, packing or seals
- Low maintenance
- Reversible flow

Materials of Construction

Non-Wetted Parts

Casing: aluminum alloy

Rotor: aluminum alloy

Rollers: plastic/alloy

Wetted Parts

Hose:

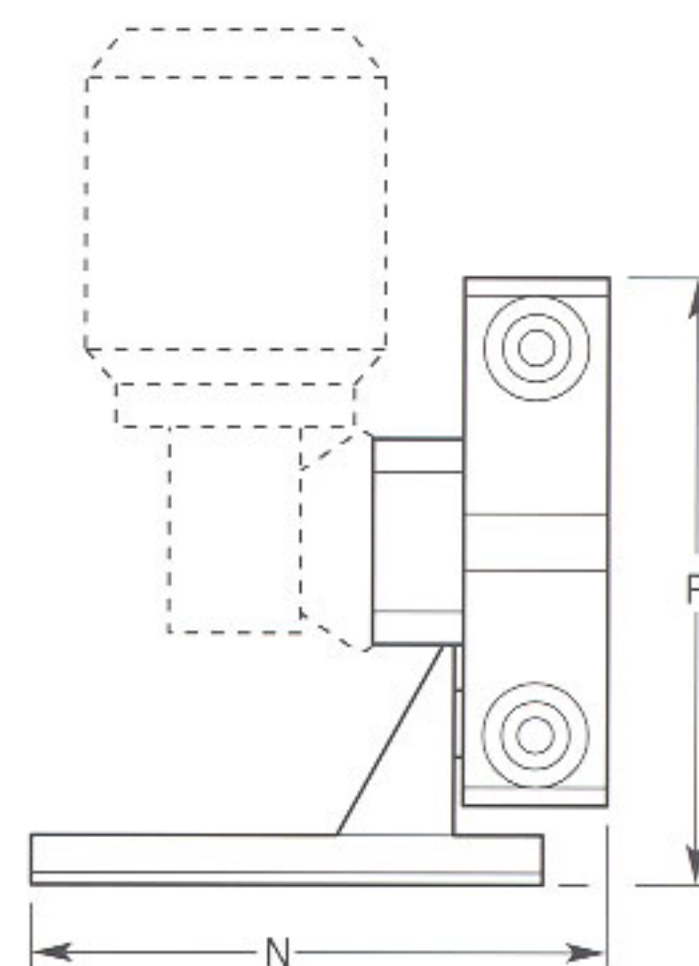
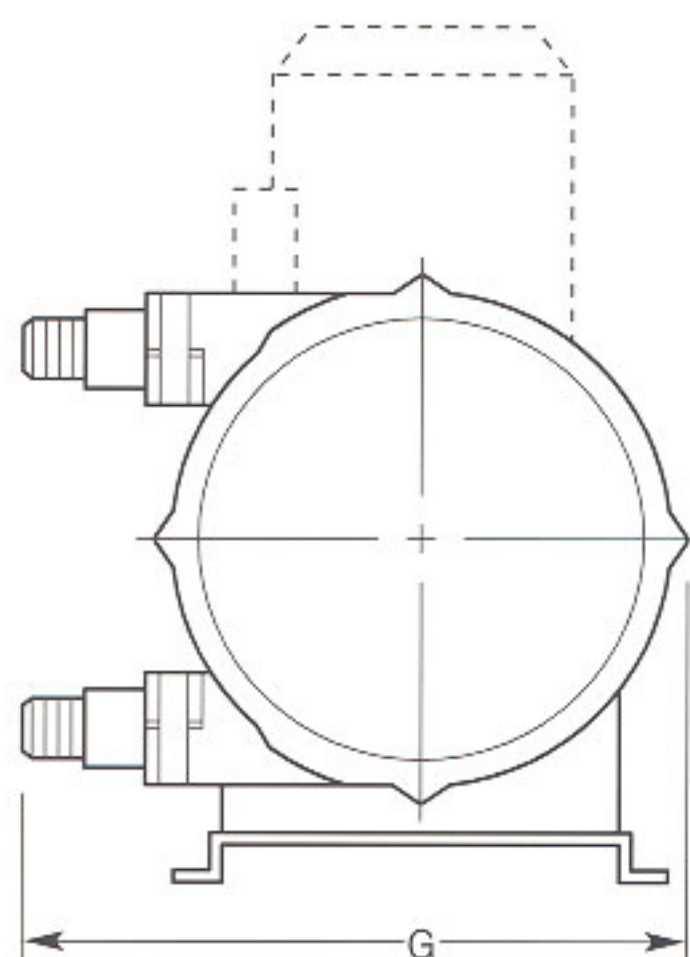
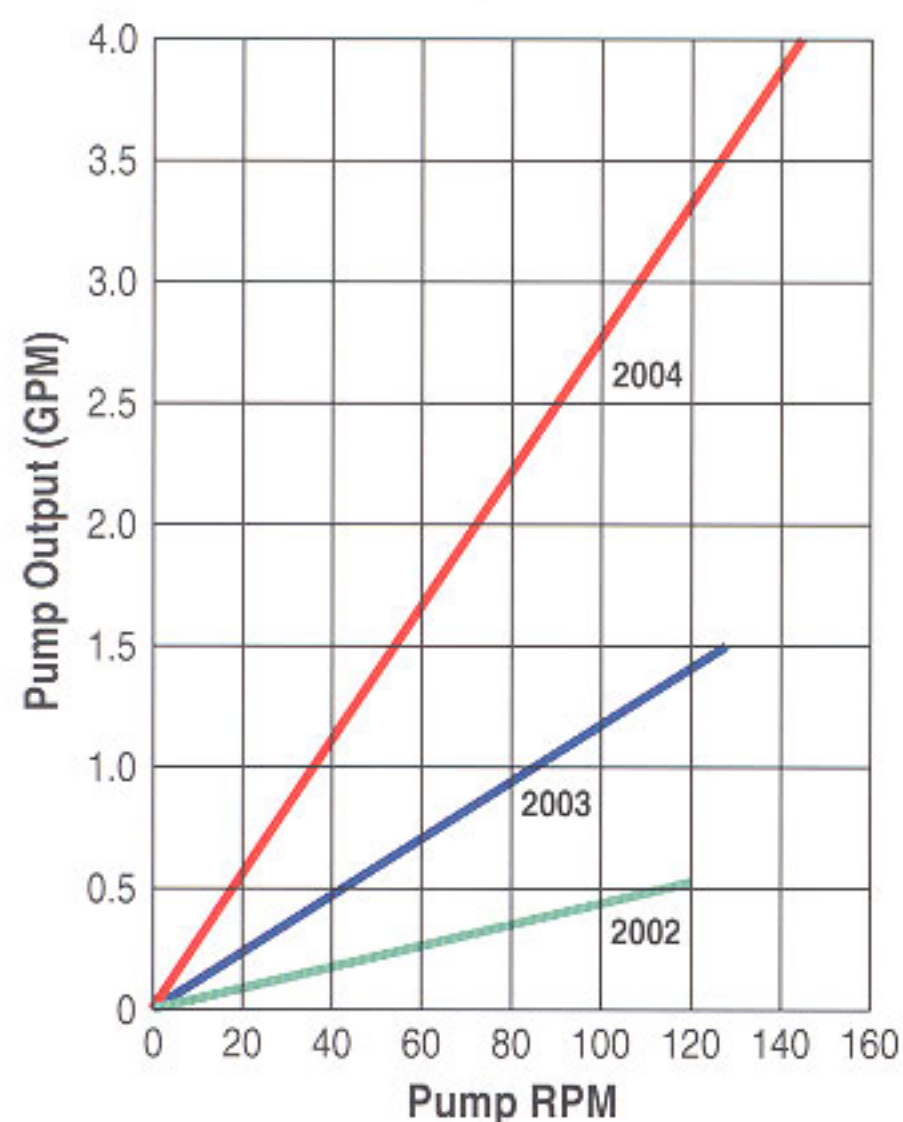
EXTRUDED— Neoprene, Hypalon, Varpren, Silicon, PharMed®

BRAIDED— Natural rubber, Nitrile rubber, EPDM, Hypalon

Inlet/Outlet Connections: Teflon hose barb connection standard. Also available: brass or stainless steel hose barb, carbon steel or stainless steel ANSI flange, NPT, and sanitary tri-clamp

VECTOR SERIES

Models: 2002/2003/2004



Fluid Characteristics

Viscosity	15,000 cps (max)
Liquid Temperature	180°F (82° C) (max)
Solid Size	1/16 inch (max)
Fiber Length	1/4 inch (max)

Dimensions (inches)

	2002	2003	2004
G	7.6	8.5	12.2
N	7.4	7.7	9.3
P	7.3	8.8	11.6

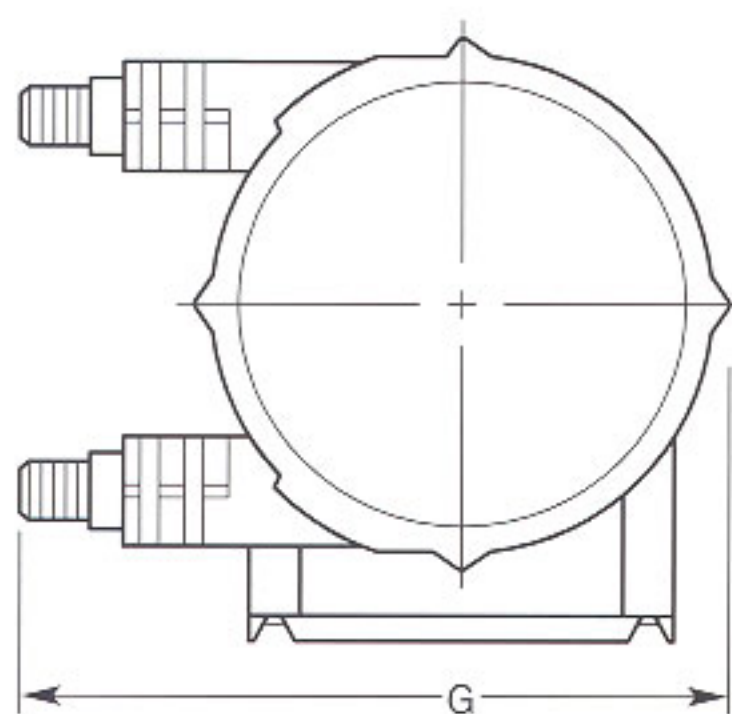
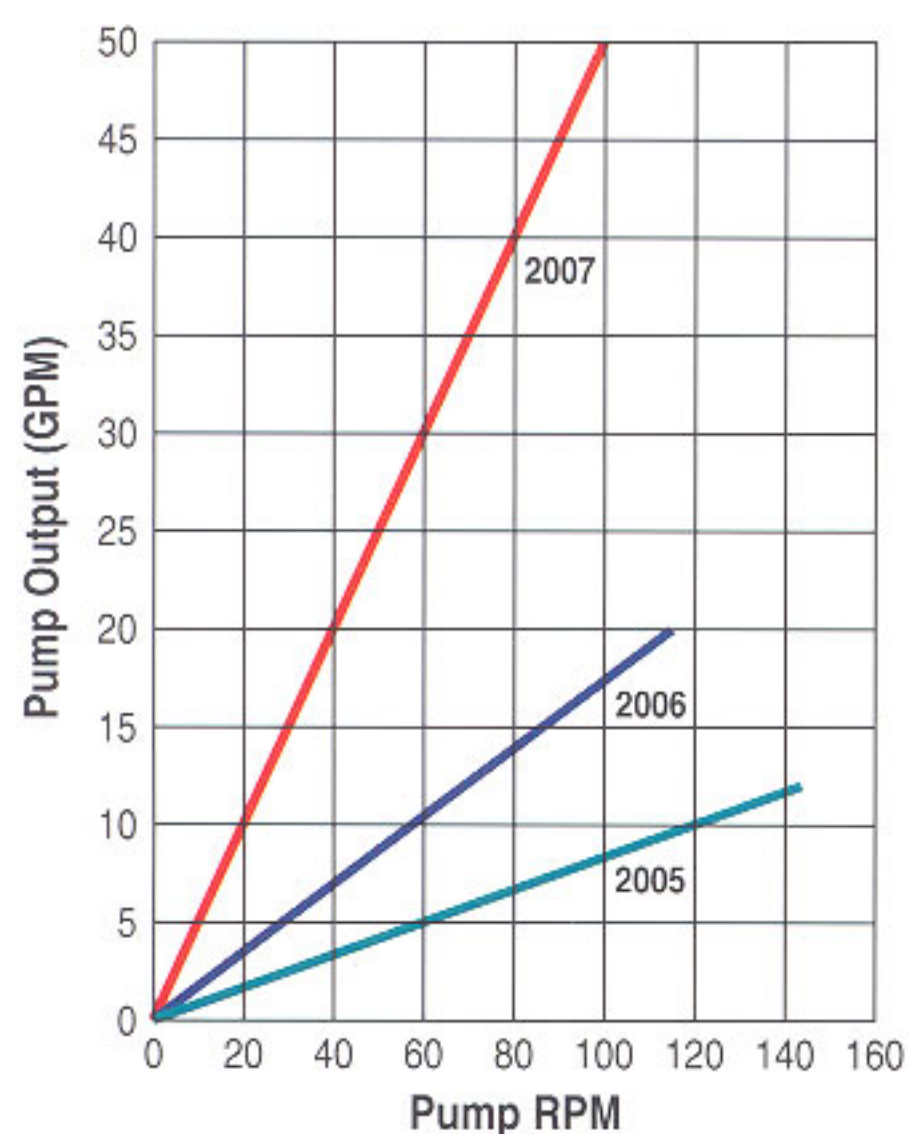
Specifications

	2002	2003	2004
Discharge Pressure (max)	18 psi	18 psi	22 psi
Suction Lift	7 ft	10 ft	14 ft
Horsepower (max) ¹	1/4	1/4	1/3
Weight	6.5 lbs	10 lbs	20 lbs

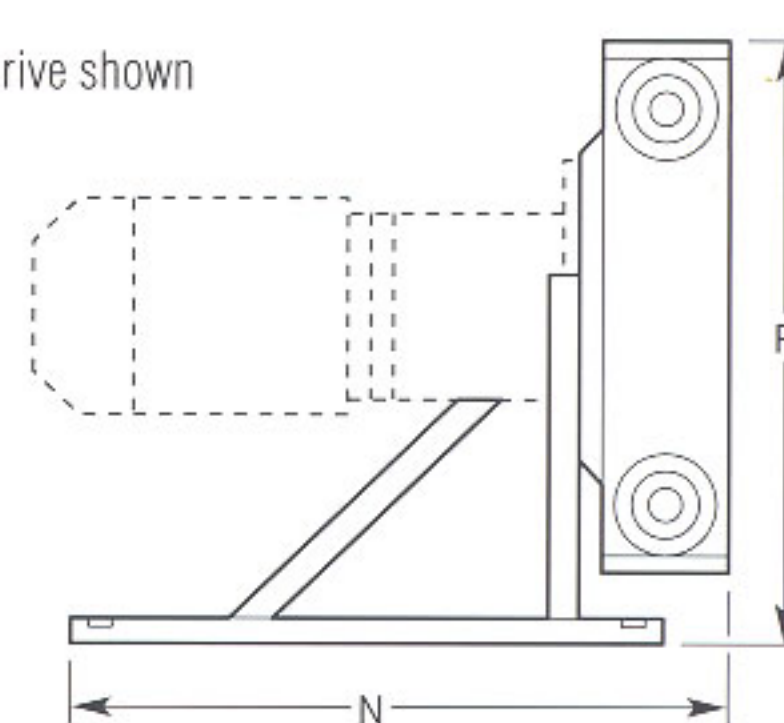
¹ Pumps are shaft driven and require a gearbox and motor.

VECTOR SERIES

Models: 2005/2006/2007



Gear motor drive shown



Dimensions (inches)

	2005	2006	2007
G	17.4	22.5	28.6
N	19.0	25.8	30.8
P	15.2	22.5	26.5

Specifications

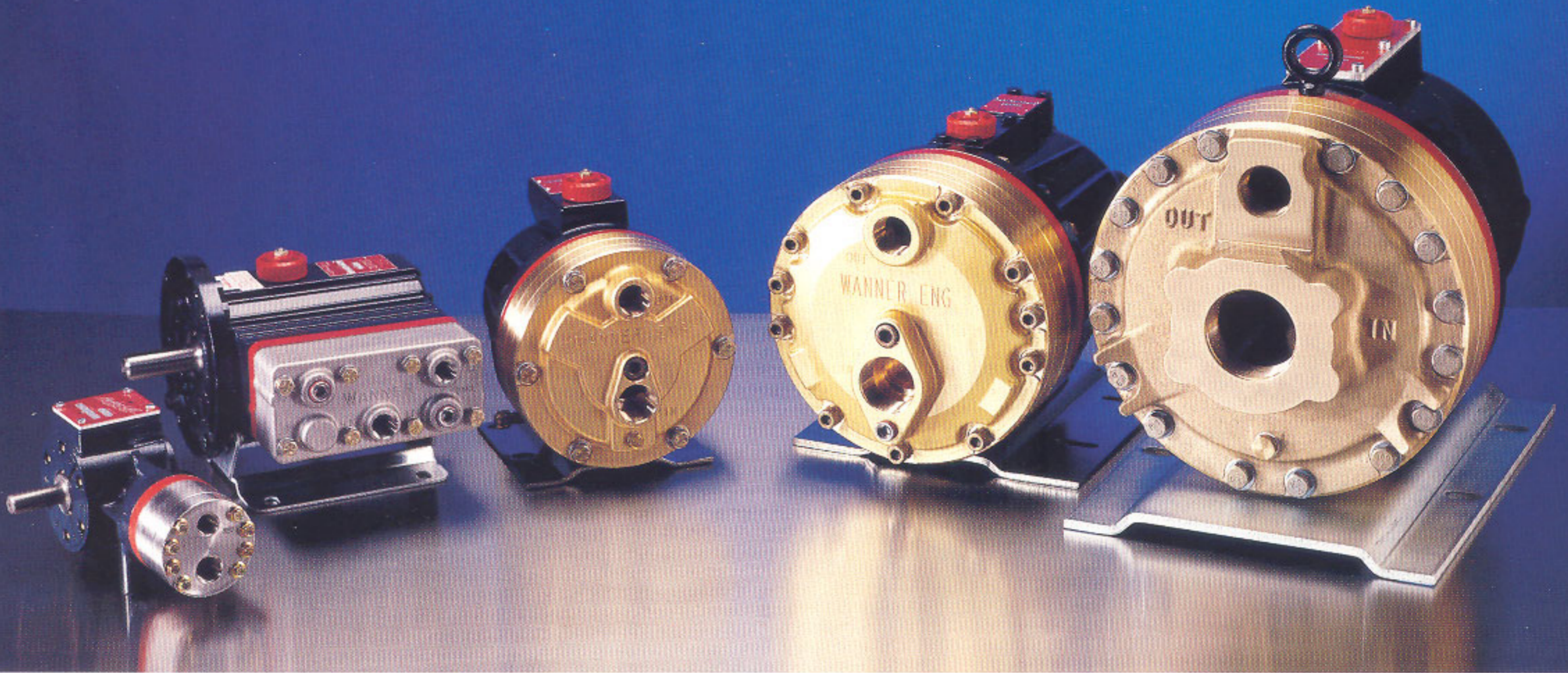
	2005	2006	2007
Discharge Pressure (max)	37 psi	60 psi	60 psi
Suction Lift	16.5 ft	20 ft	20 ft
Horsepower (max) ¹	3/4	2	3
Weight	40 lbs	95 lbs	185 lbs

¹ Pumps are shaft driven and require a gearbox and motor.

Fluid Characteristics

Viscosity	15,000 cps (max)
Liquid Temperature	180°F (82° C) (max)
Solid Size	2005 & 2006: 1/8 in (max) 2007: 1/4 inch (max)
Fiber Length	1/2 inch (max)

Wanner Engineering Other Pump Products



Hydra-Cell®

Sealless, Positive Displacement Pumps

Designed for a broad spectrum of industrial pumping applications. For more information, contact your Wanner Engineering distributor for a copy of our new catalog. Or visit our website at www.hydra-cell.com

- Pressures to 2,500 psi (172 bar)
- Flow rates to 37 GPM (140 l/min)

Stan-Cor

Non-Metallic Centrifugal Pumps

Designed for corrosive fluids

- Total dynamic head to 350 feet
- Flow rates to 700 GPM



Fluid Handling Solutions™

SPRAYING PUMPING FILTERING
All from one

International Ltd.

Weymouth, England

35

VANCOUVER: (604) 942-7622

WINNIPEG: (204) 786-5529

SADBURY: (705) 521-1184

CALGARY: (403) 219-0939

SASKATOON: (306) 668-4636

MONTREAL: (514) 636-6400

EDMONTON: (780) 468-4499

TORONTO: (905) 624-4200

HALIFAX: (902) 832-3935