



PRICE PUMP®

2MS75MD

PUMP VOLUTE / IMPELLER MATERIALS
2MS75(SS) – 316SS / 316SS (TWO-STAGES)

APPLICATIONS

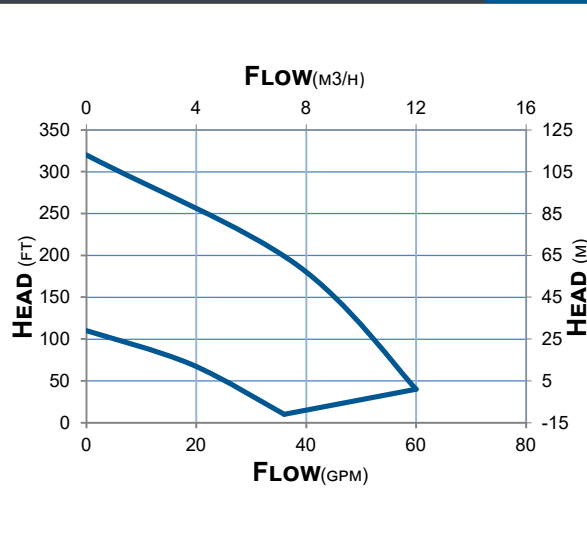
- TOXIC OR EXPLOSIVE FLUIDS
- AGGRESSIVE CHEMICALS
- BIODIESEL PRODUCTION
- WATER TREATMENT
- GALVANIC PROCESSES, SURFACE TREATMENTS
- SCRUBBER APPLICATIONS
- PHARMACEUTICAL INDUSTRY
- VAPOR DEGREASERS



STANDARD SPECIFICATIONS

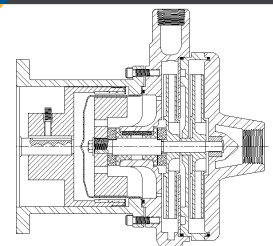
- 2MS75MD DISCHARGE 3/4" FNPT, SUCTION 1" FNPT
- MAXIMUM IMPELLER DIAMETER: 5.98"
- IMPELLER MATERIAL: 316SS
- MOTOR: NEMA C FACE
- O-RINGS: VITON
- BUSHINGS: CARBON GRAPHITE
- THRUST WASHERS: CERAMIC
- MAGNETS: SAMARIUM COBALT

NOTE: CONTACT FACTORY FOR ADDITIONAL OPTIONS



FEATURES

- ACHIEVES OVER 300 FEET OF HEAD
- LEAK-PROOF, MAGNETIC DRIVE
- ELIMINATES SEALS TO REDUCE FRICTION WEAR
- HIGH TEMPERATURE CAPACITY
- THREADED PUMP CONNECTIONS



2203 SMEED PARKWAY CALDWELL, ID 83605

MAIN (208) 402-6871

TOLL FREE (800) 345-7867

EMAIL SALES@PRICEPUMP.COM

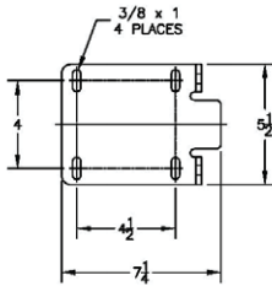
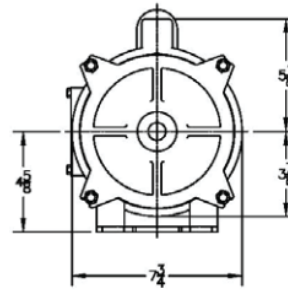
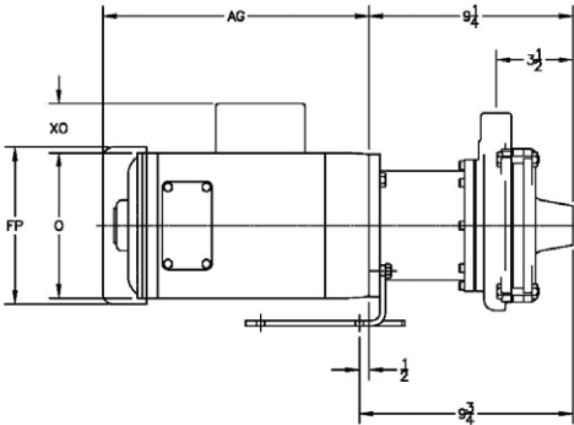
PRICEPUMP.COM





PRICE PUMP

2MS75MD



NOTE:
MOTOR DIMENSIONS WILL VARY BY MODEL AND MAKE,
DIMENSIONS ARE TO BE USED FOR REFERENCE ONLY.

HP	RPM	FRM	MOTOR END DIMENSIONS			
			AG	FP	O	XO
1/4	1800	56C	7 3/4	6 1/8	5 3/8	2 1/16
1/3	1800	56C	8 1/4	6 1/8	5 3/8	2 1/16
1/2	1800	56C	8 3/4	6 1/8	5 3/8	2 1/16
3/4	1800	56C	9 1/4	6 1/4	5 3/8	2 1/16
1	1800	56C	10	6 1/4	5 3/8	2 1/16
2	3600	56C	11 1/8	7 3/16	6 7/8	2 1/4
3	3600	56C	12 3/8	7 3/16	6 7/8	2 1/4

Note:
Motors above 3 HP require VFD or soft starter.

NOTE: ALL DIMENSIONS HAVE BEEN ROUNDED TO THE NEAREST 1/8".

DIMENSIONS

TECHNICAL INFORMATION

MAX FLOW	60 GPM (14 M3/HR)
MAX HEAD	320 FEET (98 M)
MIN. FLOW	2 GPM (0.5 M3/HR)
MAX WORKING PRESSURE	300 PSI (21 BAR)
MAX TEMP.	350°F (177°C)*

MATERIALS OF CONSTRUCTION

2MS75MD	SS
VOLUTE	316 STAINLESS STEEL
IMPELLER	316 STAINLESS STEEL
BRACKET	316 STAINLESS STEEL
FASTENERS	316 STAINLESS STEEL
O-RING	VITON (STD), TEFLON, BUNA, EPR, NEOPRENE, KALREZ, FLUORO-SILICON
SHAFT	316 STAINLESS STEEL (STD), TUNGSTEN CARBIDE COATED
BUSHINGS	CARBON (STD), SILICON CARBIDE
THRUST WASHERS	CERAMIC (STD), SILICON CARBIDE
MAGNET CUP	316 STAINLESS STEEL
MAGNETS	SAMARIUM COBALT



2203 SMEED PARKWAY CALDWELL, ID 83605

MAIN
(208) 402-6871

TOLL FREE
(800) 345-7867

EMAIL
SALES@PRICEPUMP.COM

PRICEPUMP.COM

