

# OR-TEC GEMINI BELT PRESS

*800, 1200, 1700, 2200 & 2700 Series*



The OR-TEC Gemini Series Belt Press is a double belt system ideal for the medium to large size W.W.T.P. This press combines a gravity drainage zone, a low pressure zone and high pressure shear zone to provide a large dry solids throughput and an excellent final cake. The system can be customized to the clients needs with a full range of ancillary equipment from sludge pumping to dry cake conveying

The unit is constructed from stainless steel and includes the Gemini two belt system, eight pressure rollers, belt tensioning systems, belt tracking systems, wash water system, sludge cake removal doctor blades and comes in sizes from 0.8 meter to 2.7 meters



The *OR-TEC GEMINI Series System* package can include:

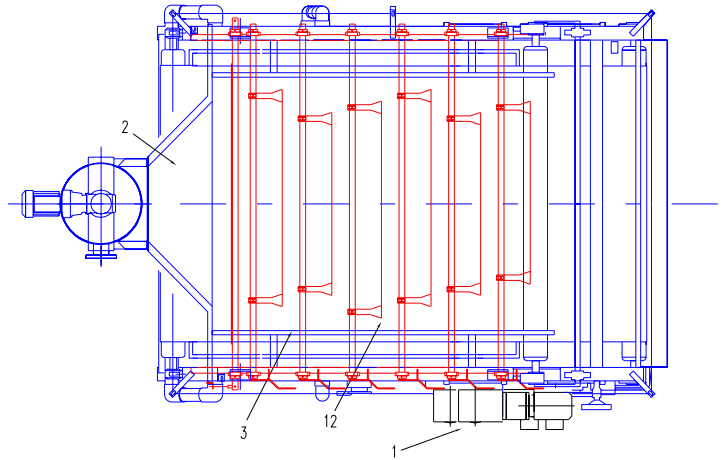
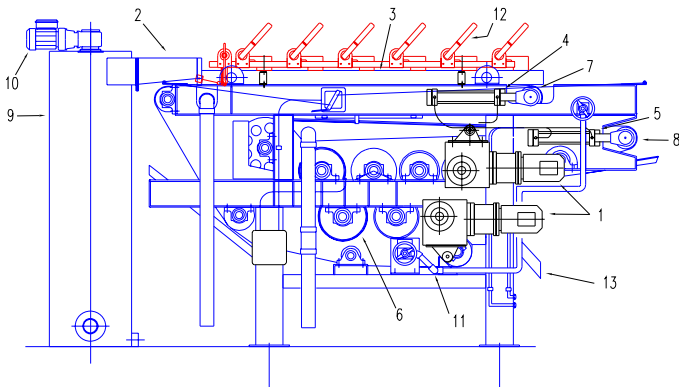
- Belt Press
- Sludge Feed Pumps
- Chemical Dosing System
- Dry Cake Auger/Conveyor/Pump
- Flocculation System
- Wash Water Pumps
- Control Panel

14500 Industrial Ave. South  
Maple Heights, OH 44137  
P: 216-475-5225  
F: 216-475-5229  
info@or-tec.com

[or-tec.com](http://or-tec.com)



# OR-TEC GEMINI SERIES BELT PRESS



NO: DESCRIPTION

- 1 BELT DRIVE UNITS
- 2 SLUDGE INLET CHANNEL
- 3 SLUDGE DISPERSION UNIT
- 4 UPPER BELT TENSION CYLINDER
- 5 LOWER BELT TENSION CYLINDER
- 6 PRESSURE ROLLER
- 7 TOP BELT
- 8 BOTTOM BELT
- 9 FLOCCULATION TANK
- 10 FLOCCULATION TANK MIXER
- 11 WASH WATER DRAIN
- 12 SLUDGE PLOW ASSEMBLY
- 13 SLUDGE CAKE DISCHARGE

*Some typical results....*

| Type of sludge   | Feed Sludge Conc % | Sludge Feed Rate (gph)                     | Dry Solids Feed Rate (1 lb./hr)           | Poly Conc % | Poly Feed Rate (lbs/ton d.s.) | Final Cake % |
|--|--------------------|--|---|-------------|-------------------------------|--------------|
| Activated Sludge from Municipal WWTP                       | 1.5                | 5995 (1.0m)<br>8912 (1.5m)<br>11990 (2.0m) | 750 (1.0m)<br>1115 (1.5m)<br>1500 (2.0m)  | 0.25        | 8-10                          | 18 plus      |
| Activated Sludge from Anaerobic WWTP                       | 3.6                | 3230 (0.5m)<br>4796 (1.0m)<br>6461 (1.5m)  | 970 (1.0m)<br>1440 (1.5m)<br>1940 (2.0m)  | 0.25        | 8-12                          | 22 plus      |
| Primary and Secondary Activated Sludge from Municipal WWTP | 3.25               | 4150 (0.5m)<br>6161 (1.0m)<br>8300 (2.0m)  | 1125 (1.0m)<br>1670 (1.5m)<br>2250 (2.0m) | 0.25        | 8-10                          | 25 plus      |
| Flotation Skimmings  | 8.2                | 2120 (1.0m)<br>3180 (1.5m)<br>4240 (2.0m)  | 1450 (1.0m)<br>2175 (1.5m)<br>2900 (2.0m) | 0.20        | 10-12                         | 30 plus      |

*A premier manufacturer of quality equipment in the Municipal, Industrial, Food Processing and Agricultural Marketplace*