

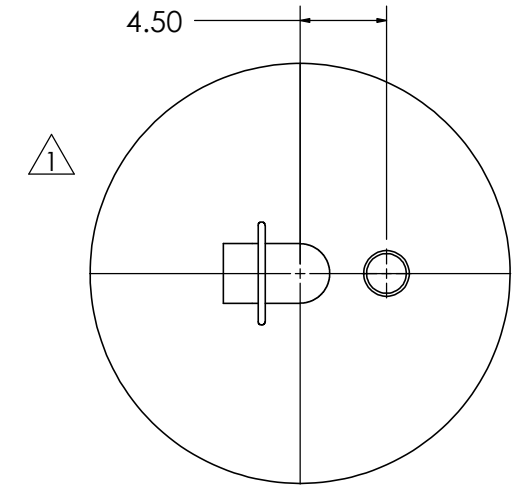
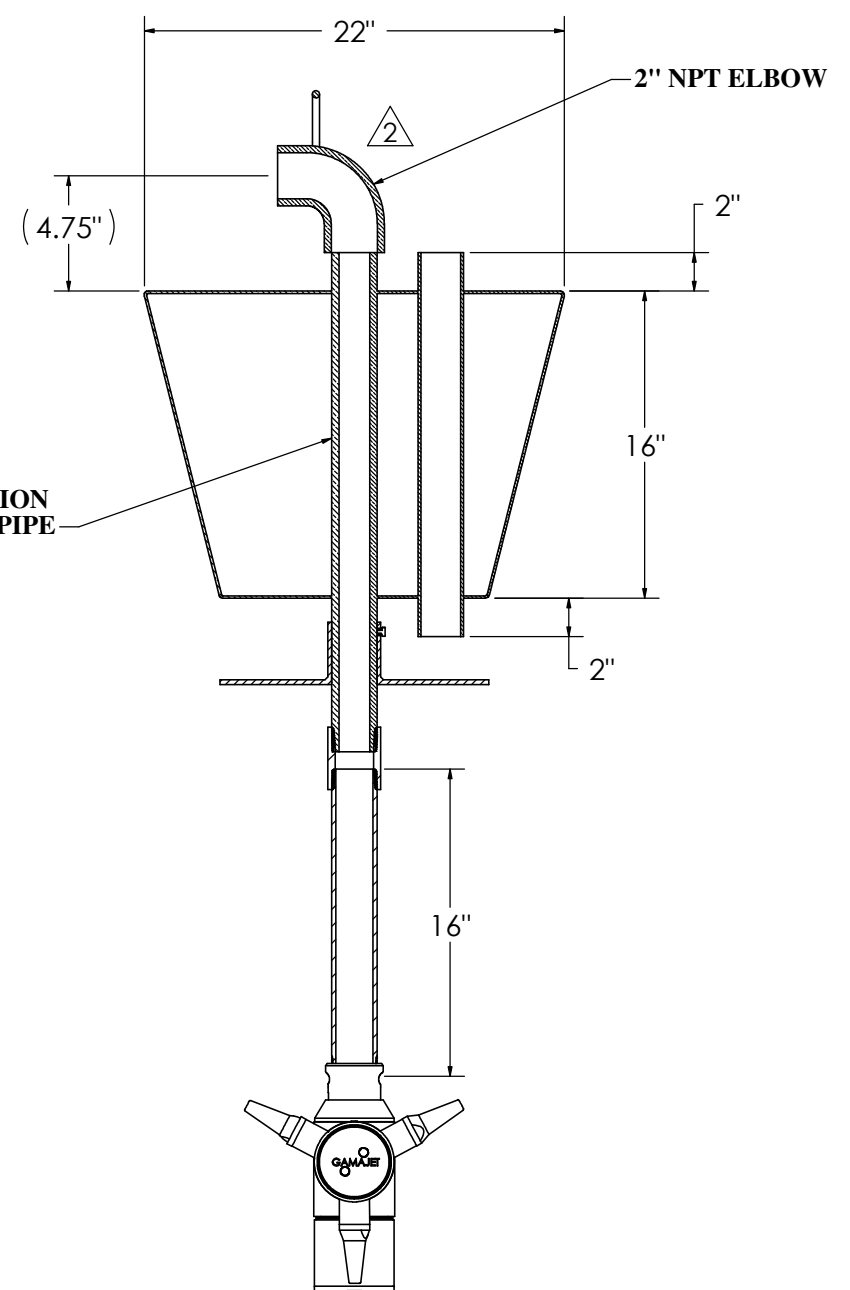
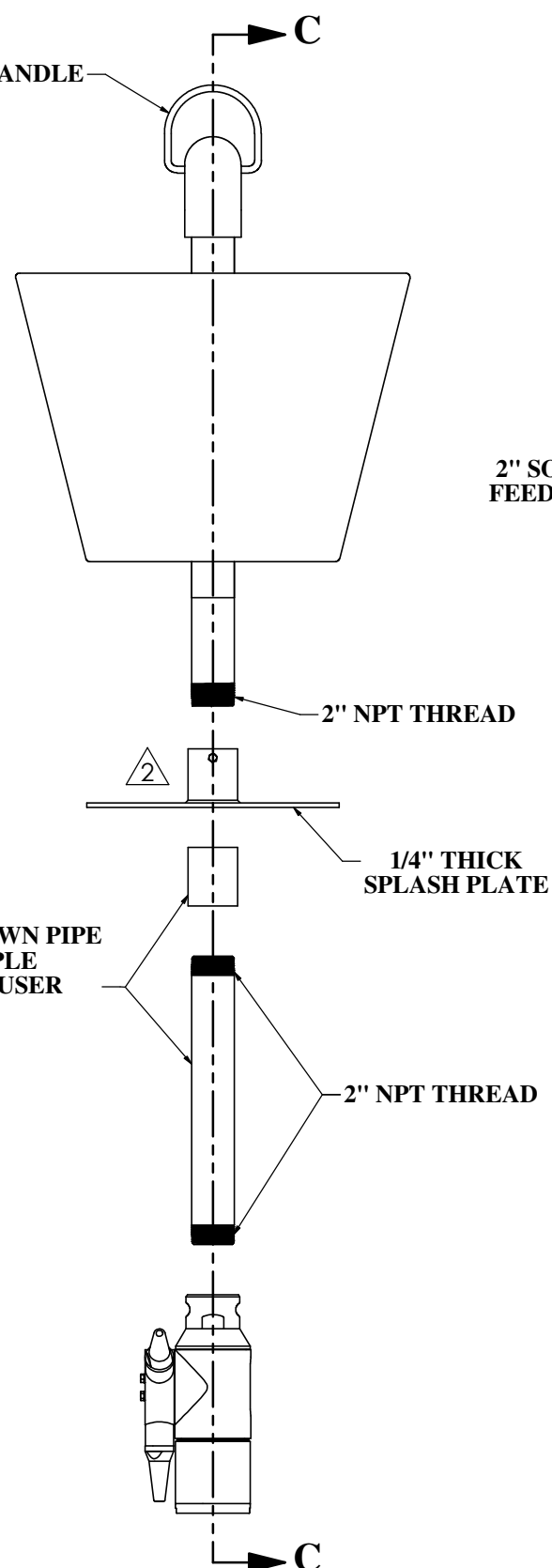
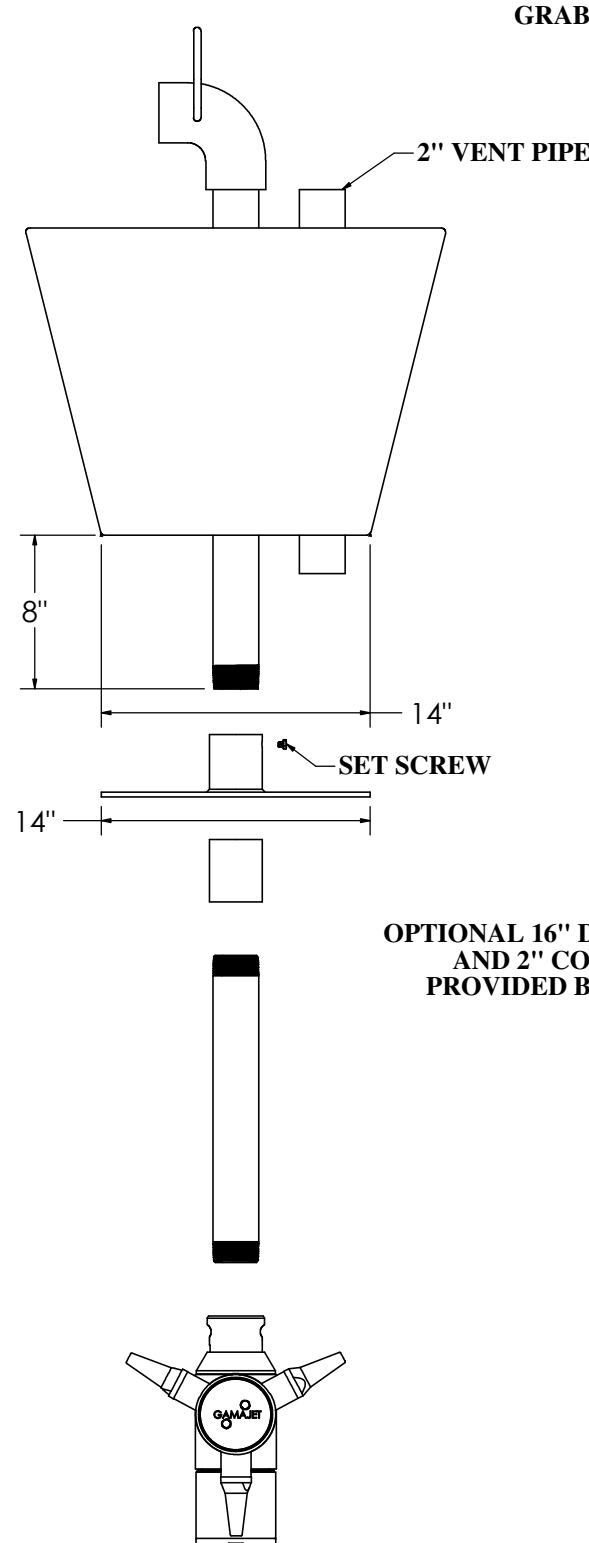
GAMAJET CLEANING SYSTEMS, INC.
604 Jeffers Circle
EXTON, PA. 19341
1-877-GAMAJET (1-877-426-2538)

MANWAY ADAPTER

REVISIONS TABLE			DESCRIPTION
DRAWN BY	DATE	REV.	
JAD	2/15/2011	1	NEW DRAWING AND VIEW
GES	1/24/12	2	ELBOW NOW WELDED, SPLASH PLATE NOW SLIP FIT

D
C
B
A

D
C
B
A



SECTION C-C

MATERIAL : STAINLESS STEEL

THIS DRAWING IS THE PROPERTY OF GAMAJET CLEANING SYSTEMS, INC. REPRODUCTIONS AND USE OTHER THAN BORROWER'S AGREEMENT IS PROHIBITED. THIS DOCUMENT SHALL NOT BE LENT OR DISPOSED OF DIRECTLY OR INDIRECTLY NOR USED FOR ANY PURPOSE OTHER THAN THAT WHICH IS SPECIFICALLY FURNISHED.

UNLESS OTHERWISE SPECIFIED: * DIMENSIONS ARE IN INCHES * DIMENSIONS REFERENCE THEORETICAL SHARP CORNERS * FILLET RAD.: 0.015±0.005 * TOLERANCES: .XX ±0.01 .XXX ±0.005 ANGLE ±0.5°		GAMAJET CLEANING SYSTEMS, INC. 604 Jeffers Circle Exton, PA 19341	
MATERIAL: 304 SST		EQUIPMENT: GJ4	
FINISH (UNLESS OTHERWISE SPECIFIED): 2B		DRAWN BY: JAD	DRAWN DATE: 1/7/2010
SCALE 1:10		REV: 2	DWG. NO.: MANWAY
			SHEET 1 OF 1

8 7 6 5 4 3 2 1