



EMAIL: FILTRATION@JOHNBROOKS.CA

M-Series Single Bag Filter Housing



Product Specifications

Design Code:

ASME Section VIII Div 1, UM Stamp
CRN for all Canada

Materials:

Housing: Carbon Steel or
316 Stainless Steel

Hardware: Plated Carbon Steel

Tripod: Painted Carbon Steel

Basket: 304/316SSm 1/8" Perf

O-Rings: EPDM or Viton Standard

Nameplate: Aluminum

Design Pressure:

150 psig

Design Temperature:

-20° to 150° F

Connections:

Inlet/Outlet (2): 2" NPT(F)

Drain: 1/2" NPT(F)

Gauge Ports (2): 1/2" NPT(F)

Finish:

Carbon Steel: Bead Blast per SSPC-6
and External Paint with John Brooks
Blue Paint

Stainless Steel: Bead Blast & Clean
per SSPC-6

Options:

Threaded Flanges, 150 (Shipped Loose)

316SS Tripod

Viton O-Rings

TFE O-Rings

Electro-Polish

Mesh-Lined | Various Perf Basket

Isolation Valves & dP Switches



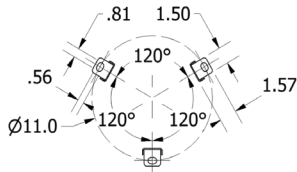
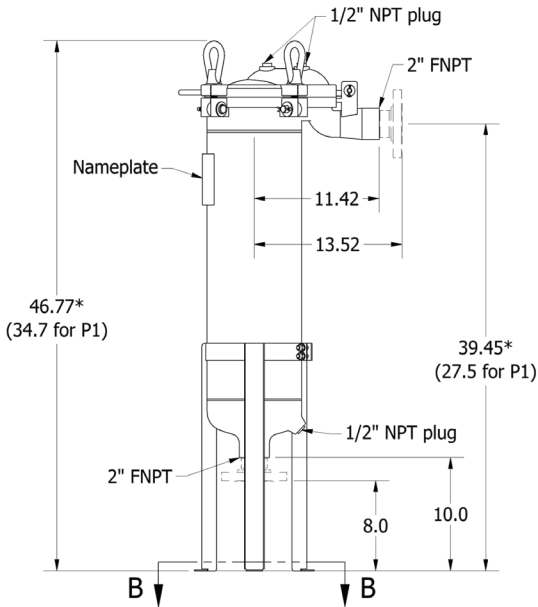
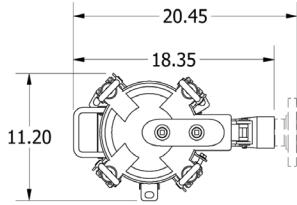
FEATURES & BENEFITS

- Over-the-Top Entry Allows Easier Change-Out of Filter Bags without the need for a Hold-Down Assembly
- Little to no bypass compared to standard design filter bag housings
- Quick Swing Bolt Closure for Fast Change-Outs
- Gooseneck Inlet Maximizes Pressure Drop

TYPICAL APPLICATIONS

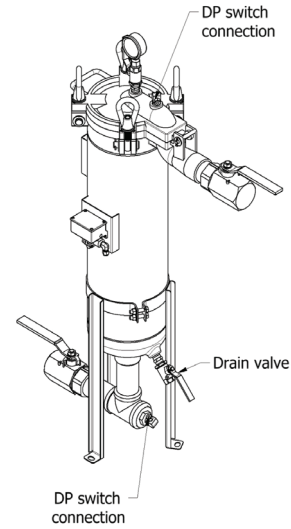
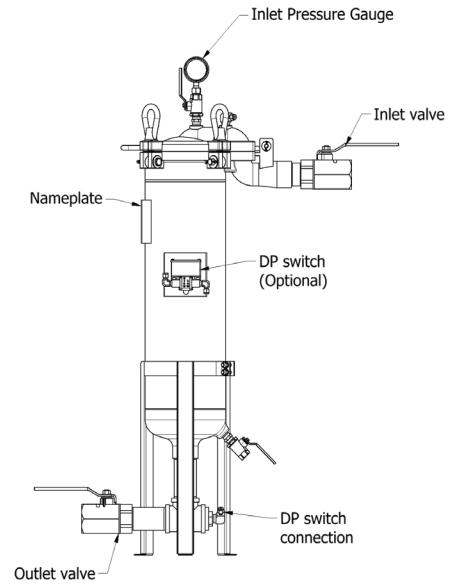
- General Industry
- Oil & Gas
- Chemical
- Mineral Processing
- Power Generation
- Water Treatment
- Pulp & Paper
- Steel

DIMENSIONS



Notes:
*Dimensions are shown for P2 housing

SECTION B-B



HOW TO ORDER

Model Number	Description	Options				
		Threaded Flange - 150#	Tripod 316SS	Viton O-Rings	TFE O-Rings	Electro-Polish
HHP10TCSM	P1 Size, Carbon Steel	TF150	ST	V	T	EP
HHP10TSS6M	P1 Size, 316 Stainless Steel					
HHP20TCSM	P2 Size, Carbon Steel					
HHP20TSS6M	P2 Size, 316 Stainless Steel					

Example: HHP20TSS6M-TF150-ST-V

P2 Size 316SS Filter Bag Housing - 2" 316SS Threaded Flange 150# RF - 316SS Tripod - Viton Body O-Ring



**SPRAYING
PUMPING
FILTERING
AND VALVES**

1-877-624-5757
www.johnbrooks.ca