



EMAIL: FILTRATION@JOHNBROOKS.CA

HHP Series Filter Housings

High-Purity Vessels



Product Specifications

Materials:

316L Stainless Steel

Mechanical Polish:

External Surfaces:

32 RA

Internal Surfaces:

25 RA

Inlet/Outlet Style:

Tri-clamp, ANSI Flange, DIN

Standard Configuration

1 Round:

"T" Style: 1" Tri-clamp, legs

In-Line: 1.5" Tri-clamp

3 & 5 Round Clamp: Dual Clamp Closure, 2" Inlet/Outlet, Legs

7 & 12 Round Swing Bolt Closure: 3" Inlet/Outlet, Legs, Handles

21 & 26 Round Swing Bolt Closure: 4" Inlet/Outlet, Legs, Handles & Eye-bolt lift sockets

36 Round Swing Bolt Closure: 6" Inlet/Outlet, Legs, Handles & Eye-bolt lift sockets

Operating Parameters

Maximum operating pressure:

Design pressures limits of 140 PSIG (9.8 bar) @ 212°F (100°C)

Recommended operating pressure:

Limits of 100 PSIG (6.8 bar) @ 165°F (74°C)

The HHP Series filter housings are constructed of 316 Stainless Steel and engineered using 3A standards for filtration applications requiring high purity production streams. Design characteristics minimize hold up volumes, provide for easy draining and optimized cleanability. External surfaces mechanically polished and internal surface is acid washed for a consistent, easy care finish.

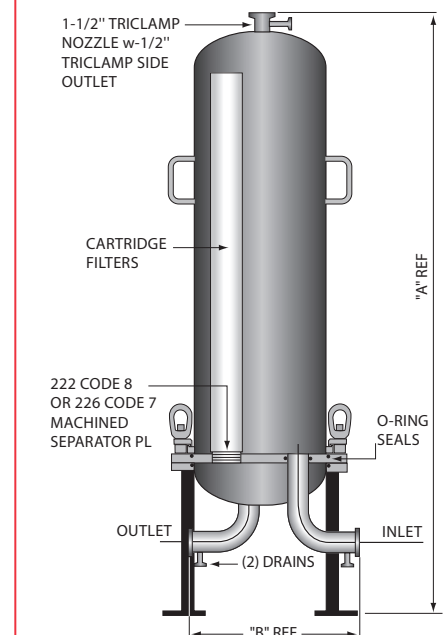
FEATURES & BENEFITS

- Durable 316L stainless steel for corrosion resistance
- V-band clamp or swing bolt for quick and easy cartridge changeouts
- Accepts 5", 10", 20", 30" and 40" cartridges with DOE, 222/226 configuration options
- Accommodates up to 2 3/4" OD cartridges

TYPICAL APPLICATIONS

- Ultrapure Chemicals
- Ultrapure Water
- Wine/Beer
- Bottled Water
- Vaccines
- Diagnostics
- Edible Oils
- Tank Vents

HHP DIMENSIONAL DRAWING



HHP SERIES HOUSING NOMENCLATURE INFORMATION

Model	Cartridge Length	Inlet/Outlet Type	Vent/Drain	Cartridge Type	Gasket
1HHP 12HHP	05 5"	-A 150# Flange	-N ½" NPT	-0 DOE	-B Buna-N
1HHPI 21HHP	10 10"	-D DIN	-G Gauge Port/Vent	-3 222	-E EPDM
3HHP 26HHP	20 20"	-T Tri-clamp	-7 226	-S Silicone	-T Teflon (Silicone)
5HHP 36HHP	30 30"		-T Triclamp (1/2")		-V Viton
7HHP	40 40"				
Example: 12HHP30-T-G-7-B					
12HHP	30	-T	-G	-7	-B

HHP DIMENSIONAL DATA

Model	Number of Elements	Dimension A				Dimension B	Approximate Weight (lb)				Inlet/Outlet
		10"	20"	30"	40"		10"	20"	30"	40"	
1HHP	1	19.7"	29.5"	39.4"	49.2"	8.1"	10	13	17	22	1"
1HHPI	1	17.0"	26.8"	36.7"	46.5"	5.4"	8	11	14	17	1.5"
3HHP	3	26.6"	36.4"	46.3"	56.1"	13.1"	47	58	65	73	2"
5HHP	5	26.6"	36.4"	46.3"	56.1"	13.1"	47	58	65	73	2"
7HHP	7	30.0"	40.0"	50.0"	60.0"	14.4"	128	141	154	167	3"
12HHP	12	30.8"	40.8"	50.8"	60.8"	18.3"	173	191	209	227	3"
21HHP	21	--	--	51.4"	61.4"	21.5"	--	--	275	299	4"
26HHP	26	--	--	51.4"	61.4"	21.5"	--	--	275	299	4"
36HHP	36	--	--	52.0"	62.0"	24.8"	--	--	364	398	6"



SPRAYING
 PUMPING
 FILTERING
 AND VALVES

1-877-624-5757
www.johnbrooks.ca