

SUPER T SERIES® REPAIR KITS

FEATURING GENUINE GORMAN-RUPP OEM REPLACEMENT PARTS.

Super T Series® pumps are designed to provide top performance – all day, every day. But to operate at their peak, all pumps need routine maintenance. Gorman-Rupp offers the convenience of ordering repair kits to make maintenance simple and hassle-free.

When a pump goes down, we understand that time is money – so avoid costly delays and downtime waiting for overlooked gaskets or washers that need replaced.

Our kits contain Genuine Gorman-Rupp Replacement Parts and provide all the necessary components in your choice of two packages.

It is factory recommended when ordering/installing these kits to check the mechanical seal, wear plate and impeller for wear and replacing if necessary.



Super T SERIES®

Gasket Repair Kit

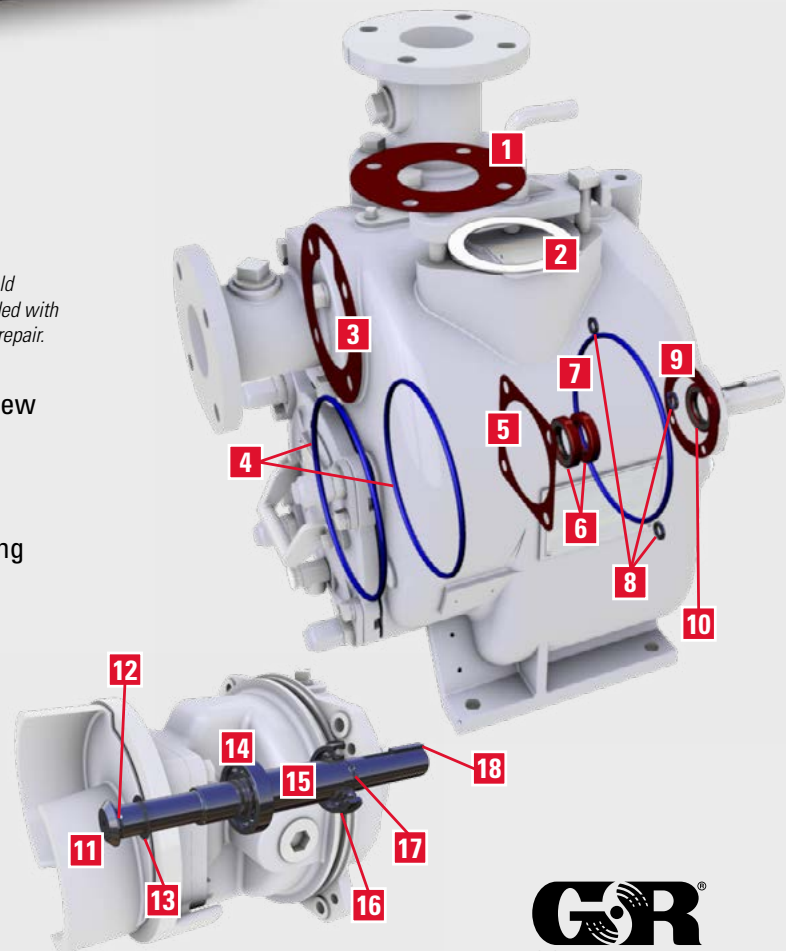
3" Super T Series® pump shown. Other models similar, but kits may include additional components not shown.

- 1** Discharge flange gasket
- 2** Cover gasket
- 3** Suction flange gasket
- 4** Back cover O-ring (2)
- 5** Seal plate gasket
- 6** Inboard oil seals (2)
- 7** Bearing housing O-ring
- 8** Rotating assembly shim set
- 9** Bearing cap gasket
- 10** Bearing cap oil seal

Shaft Repair Kit

Gasket kit and mechanical seal (sold separately) are factory recommended with purchase of shaft kit for complete repair.

- 11** Socket HD capscrew
- 12** Impeller washer
- 13** Impeller shim set
- 14** Inboard ball bearing
- 15** Impeller shaft
- 16** Outboard bearing
- 17** Bearing snap ring
- 18** Shaft key



GORMAN-RUPP PUMPS

P.O. BOX 1217 | MANSFIELD, OHIO 44901-1217 | USA
419.755.1011 | GRSALES@GORMANRUPP.COM | GRPUMPS.COM

GOR
GORMAN-RUPP
PUMPS

The Pump People