

- CONSTRUCTION / RENTAL
- MINING
- PETROLEUM
- AGRICULTURE
- OEM



*O Series[®] Power Take-Off
Self-Priming Centrifugal Pumps*



GEAR-REDUCER POWER TAKE-OFF

Self-Priming Centrifugal Pumps



Gorman-Rupp O Series® gear-reducer, power take-off (PTO) pumps are ideal for a variety of clean liquid-handling applications. Whether it's controlling dust at a quarry or supplying aircraft fuel, O Series PTO pumps excel in moving fluids that do not contain large solids.

Their rugged, lightweight construction and compact design enable mounting in the unused space between the cross member of the chassis frame on refueling and water transfer vehicles. Power take-off pumps provide the performance to handle the rates of fuel required by local service carriers and suppliers. These pumps are ideal for handling fuel oil, gasoline or other petroleum based products. And, when necessary, their efficient, economical design permits multiple unit installation making them perfect for fire trucks and water wagons.

Power Take-Off pumps are made for single saddle mounting with offset drive shafts that can be mounted in one of four positions to assist in shaft alignment. All models are equipped with quiet-running, durable helical gears and are available in right- or left-hand rotation.

Units can be adapted to be driven by DC or hydraulic motor when Power Take-Off or auxiliary drive connections are not acceptable.

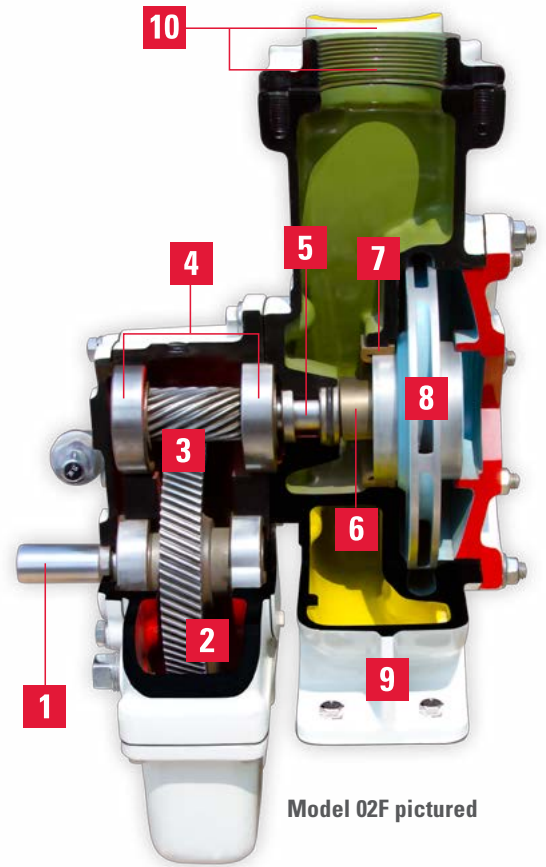


Three inch models feature a straight-in suction design and no check valve to eliminate entrance restrictions and provide better performance when handling a variety of clean fluids.

GORMAN-RUPP O SERIES®

Power Take-Off Self-Priming Pumps

- 1-Drive Shaft
- 2-Oil Lubricated Gearbox Housing
- 3-Alloy Steel Gears
- 4-Open Single Row Bearings
- 5-Alloy Steel Shaft
- 6-Mechanical Seal
- 7-Replaceable Wear Ring
- 8-High Efficiency Enclosed Impeller
- 9-Heavy-Duty Mounting Pedestal
- 10-NPT Female Connections



Model 02F pictured

Specifications



0 Series® Power Take-Off

Models: 02F-GL, 02F-GR

Size: 2" (50 mm)
 Max Capacity: 178 GPM
 (11.2 lps)
 Max Head: 440' (134.1 m)
 Max Temp: 160° F (71° C)
 Seal Elastomer: Viton®
 Material of Construction:
 Aluminum



0 Series® Power Take-Off

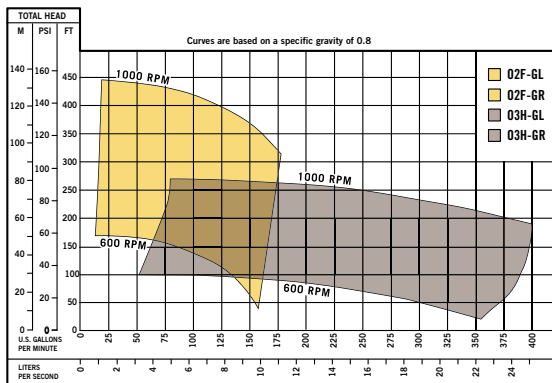
Models: 03H-GL, 03H-GR

Size: 3" (75 mm)
 Max Capacity: 400 GPM
 (25.2 lps)
 Max Head: 270' (82.3 m)
 Max Temp: 160° F (71° C)
 Seal Elastomer: Viton®
 Material of Construction:
 Aluminum, Ductile Iron

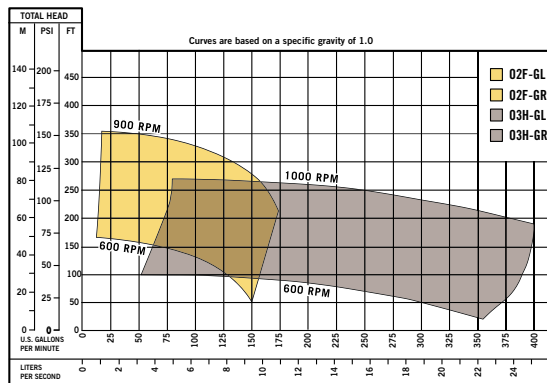
Viton® is a registered trademark of DuPont Performance Elastomers. All rights reserved.

Pump Performance Data

Performance Based On Petroleum

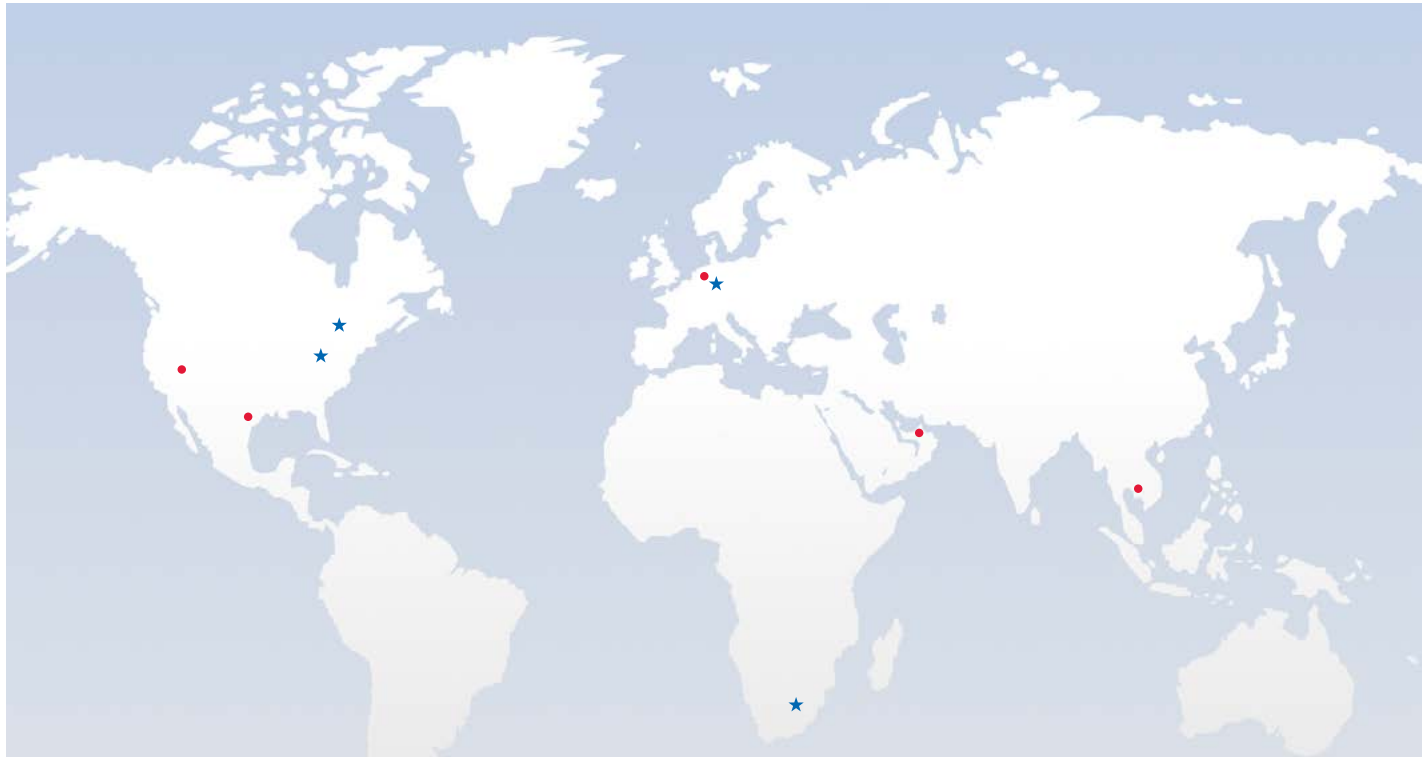


Performance Based On Water



Performance data is based on input speed to the pump.

FLUID-HANDLING EQUIPMENT DESIGNED WITH YOUR NEEDS IN MIND



★ **Manufacturing Facilities**
● **Distribution Centers**

Gorman-Rupp Pumps
Mansfield, Ohio, USA

Gorman-Rupp Canada
St. Thomas, Ontario, Canada

Gorman-Rupp Europe
Leeuwarden, Netherlands

Gorman-Rupp Africa
Cape Town, South Africa
Durban, South Africa
Johannesburg, South Africa (Headquarters)

Distribution Centers
Bangkok, Thailand
Dubai, United Arab Emirates
Grand Prairie, Texas, USA
Leeuwarden, Netherlands
Sparks, Nevada, USA

Engineering and manufacturing superiority has been the hallmark of Gorman-Rupp since our inception in 1933. Today we bring our products to life in some of the most efficient, modern and state-of-the-art manufacturing facilities in the world. Gorman-Rupp has a selection of nearly 3,000 pump models, and our world-class team of distributors has worked closely with thousands of end users around the world. We have the proven expertise and the resources to specify, manufacture, test and service your pump, and to ensure reliable performance for the long haul.



BROOKS
JOHN BROOKS COMPANY LIMITED
SPRAYING • PUMPING • FILTERING
www.johnbrooks.ca • 1.877.624.5757

VANCOUVER • CALGARY • EDMONTON • WINNIPEG • TORONTO • MONTREAL

GR[®]
GORMAN-RUPP
PUMPS

The Pump People[®]