



This 3-way ball valve offers diverting and mixing flow patterns, often eliminating the need for two valves. The full port design is easily automated and is available with various seat materials. The bolts on side flanges make for easy seat changes as necessary to accommodate your service. Available in L or T port configurations.



Series 30

3-Way Flanged Ball Valve

Sizes 1-1/2" - 12"

316SST or WCB

Full Port Design

ANSI Class 150 and 300

1-pc Ball & Stem

Blowout Proof Stem

RTFE Seats Standard

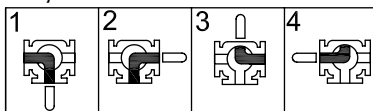
"L" or "T" Port Option

Trunnion Ball Design

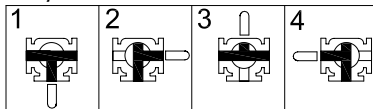
Lockable Manual Handle

FLOW PATTERNS

3-Way L-Port



3-Way T-Port



Cv Values

VALVE SIZE	T-PORT STRAIGHT THRU	L & T-PORT 90°
1-1/2"	198	50
2"	430	120
2-1/2"	670	158
3"	1,170	275
4"	2,070	422
6"	5,000	788
8"	8,800	1,828
10"	13,500	3,159
12"	20,130	4,626

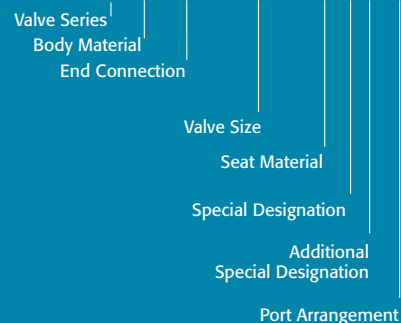
STANDARDS

Design: ANSI/ASME B16.34
 Flanged Ends: ANSI/ASME B16.5
 Face-to-Face: (per factory's standard)
 Pressure Testing: API 598
 Mounting: ISO 5211
 Marking System for Valves: MSS SP-25
 Material Certification: EN 10204-3.1 MTR
 Quality Assurance: ISO 9001:2008

HOW TO ORDER MANUAL VALVES

SAMPLE PART #

30C-F1-0150-XXX-T



See part number matrix for itemized options

Easy to Automate!

See automated data sheets for pre-sized assemblies



Pneumatic

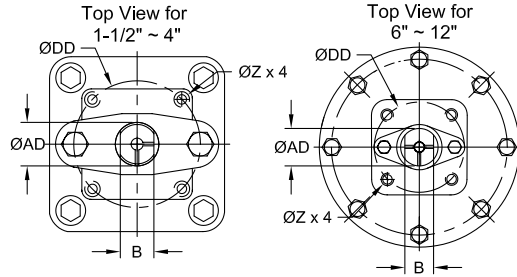
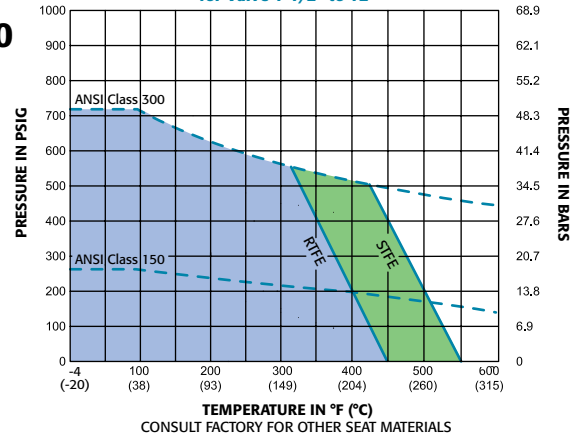


Electric

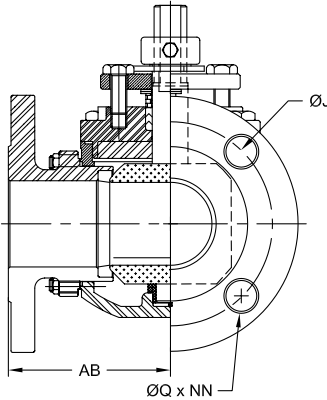
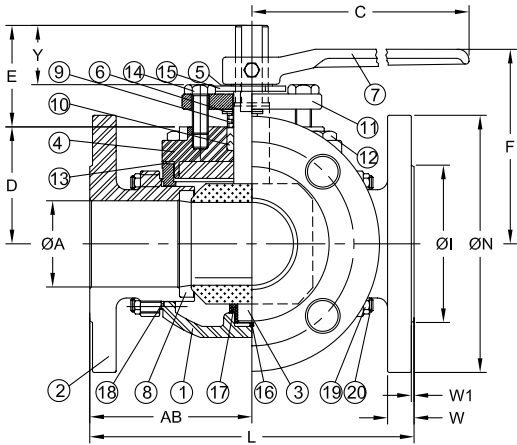
Series 30

Three-Way Flanged Ball Valve Full Port, L or T Option ANSI Class 150 and 300

Pressure vs. Temperature Chart
for Valve 1-1/2" to 12"



8" and larger require a gear operator instead of a handle



Break Away Torque for RTFE Seats		
SIZE	Class 150	Class 300
IN-LBS.		
1-1/2"	650	910
2"	900	1260
2-1/2"	1900	2660
3"	2000	2800
4"	3900	5460
6"	9500	12,320
8"	20,000	25,200
10"	32,500	45,500
12"	43,750	61,250

FOR OTHER SEAT MATERIAL CONSULT FACTORY

MATERIALS LIST

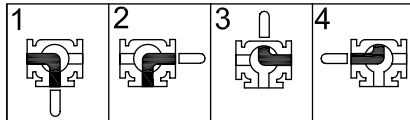
NO.	PART NAME	QTY	STAINLESS STEEL	CARBON STEEL
1	BODY	1	ASTM A351 GRADE CF8M	ASTM A216 GRADE WCB
2	FLANGE	3	ASTM A351 GRADE CF8M	ASTM A216 GRADE WCB
3	BALL & STEM	1	ASTM A276 SS316	AISI 304
4	TOP COVER	1	ASTM A351 GRADE CF8M	ASTM A216 GRADE WCB
5	C RETAINER RING	1	AISI 301	AISI 301
6	BELLEVILLE WASHER	2	AISI 301	AISI 301
7	HANDLE	1	CAST IRON	CAST IRON
8	SEATS	3	RTFE	RTFE
9	GLAND	1	AISI 304	AISI 304
10	V-RING PACKING	3	PTFE	PTFE
11	BONNET CAP	1	ASTM A351 GRADE CF8M	ASTM A351 GRADE CF8M
12	COVER BOLT	*	ASTM A193 GRADE B8	ASTM A193 GRADE B7
13	COVER JOINT GASKET	1	PTFE	PTFE
14	BONNET CAP BOLT	2	AISI 304	AISI 304
15	STOPPER	1	AISI 304	AISI 304
16	SPRING	1	AISI 304	AISI 304
17	BUSHING	1	50/50 STFE	50/50 STFE
18	FLANGE GASKET	3	PTFE	PTFE
19	NUT	**	ASTM A194 GRADE 8	ASTM A194 GRADE 2H
20	STUD	**	ASTM A193 GRADE B8	ASTM A193 GRADE B7

*FOR 1-1/2"-4" (4 PCS)
FOR 6" (10 PCS)
FOR 8" (12 PCS)
FOR 10" (18 PCS)
FOR 12" (24 PCS)

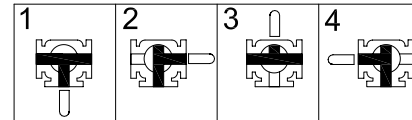
**FOR 1-1/2"-3" (12 PCS)
FOR 6"-8" (24 PCS)
FOR 10" (48 PCS)
FOR 12" (60 PCS)

FLOW PATTERNS

3-Way L-Port



3-Way T-Port



DIMENSIONS For ANSI Class 150 (IN)

SIZE	ØA	B	C	D	^D	E	^E	F	^F	ØI	ØJ	L	^L	ØN	ØQ	W	W1	Y	^Y	ØZ	^AB	^AB	ØAD	ØDD	NN	LBS.	ISO5211
1-1/2"	1.57	0.669	11.22	2.48	2.48	1.77	1.77	4.92	4.92	2.88	3.87	7.20	7.20	5.01	0.60	0.57	0.06	0.80	0.80	5/16-18	3.60	3.60	0.866	1.969	4	33	F05
2"	2.03	0.669	11.22	2.87	2.87	1.77	1.77	4.92	4.92	3.62	4.77	8.66	8.66	6.02	0.75	0.63	0.06	0.80	0.80	3/8-16	4.33	4.33	0.866	2.756	4	40	F07
2-1/2"	2.55	0.669	15.75	3.78	3.78	2.70	2.70	5.91	5.91	4.18	5.50	11.06	11.06	7.01	0.75	0.75	0.06	1.35	1.15	7/16-14	5.53	5.53	1.161	2.756	4	55	F07
3"	2.95	0.669	15.75	3.82	4.45	3.10	2.52	6.69	7.87	5.02	6.00	11.22	11.50	7.52	0.75	0.77	0.06	1.25	1.30	7/16-14	5.61	5.75	1.161	4.016	4	71	F10
4"	3.94	0.906	21.26	4.96	5.75	3.31	2.32	8.50	7.68	6.22	7.48	13.70	13.14	9.01	0.75	0.96	0.06	1.45	1.00	1/2-13	6.85	6.57	1.339	4.921	8	119	F12
6"	5.94	1.378	39.37	7.28	7.28	3.27	3.15	11.02	11.02	8.50	9.51	17.56	17.56	10.98	0.87	1.00	0.06	1.38	1.38	1/2-13	8.78	8.78	1.771	4.921	8	242	F12
8"	7.91	1.772	N/A	8.07	8.07	3.50	3.50	N/A	N/A	10.63	11.75	N/A	21.22	13.50	0.87	1.13	0.06	3.07	3.07	5/8-11	10.61	10.61	2.362	6.500	8	397	F16
10"	9.84	1.772	N/A	9.17	9.17	4.25	4.25	N/A	N/A	12.76	14.25	N/A	27.68	15.98	0.98	1.19	0.06	2.17	2.17	5/8-11	13.84	13.84	2.362	6.500	12	617	F16
12"	11.81	2.165	N/A	11.10	11.10	4.29	4.29	N/A	N/A	15.00	17.00	N/A	30.35	19.02	0.98	1.25	0.06	1.97	1.97	5/8-11	15.18	15.18	2.756	6.500	12	772	F16

DIMENSIONS WITH SYMBOLS (^) ARE FOR SAND CAST CARBON STEEL VALVES

*DIMENSIONS - ANSI Class 300 (IN)

SIZE	ØJ	^L	^AL	^AB	^ON	^OQ	^W	^W1	^NN	^LBS.	ISO5211
1-1/2"	4.51	8.66	8.66	4.33	6.14	0.87	0.81	0.06	4	44	F05
2"	5.00	9.37	9.37	4.69	6.50	0.75	0.88	0.06	8	53	F07
2-1/2"	5.87	11.22	11.22	5.61	7.48	0.87	1.00	0.06	8	73	F07
3"	6.61	11.85	12.20	5.93^6.10	8.27	0.87	1.13	0.06	8	93	F10
4"	7.87	15.35	14.41	7.68^7.21	10.00	0.87	1.25	0.06	8	154	F12
6"	10.63	18.43	18.43	9.22	12.52	0.87	1.44	0.06	12	315	F12
8"	12.99	N/A	20.94	10.47	15.00	0.98	1.63	0.06	12	634	F16
10"	15.26	N/A	30.28	15.14	17.48	1.14	1.88	0.06	16	758	F16
12"	17.76	N/A	31.53	15.77	20.51	1.26	2.00	0.06	16	CF	F16

Due to differences between sand cast and investment cast valves, A-T Controls requires that each valve be measured for the correct stem height and width before making a Mounting Adaption.

Standard manual valves should be ordered with an Automation Gland if A-T Controls is not making the mounting kit.

Dimensions B, E, and Y are for reference only.

A-T Controls reserves the right to change product designs and technical/dimensional specifications without notice.



9555 International Blvd. PHONE (513) 247-5465
Cincinnati, Ohio 45246 FAX (513) 247-5462
www.atcontrols.com sales@atcontrols.com



**Pneumatic
Double Acting
Automated
Ball Valve Package
Series 30
3-Way Flanged Ball Valve**

Sizes 1-1/2" -12"

316SST or WCB

Full Port Design

ANSI Class 150 and 300

1-pc Ball & Stem

Blowout Proof Stem

RTFE Seats Standard

"L" or "T" Port Option

Trunnion Ball Design

Lockable Manual Handle

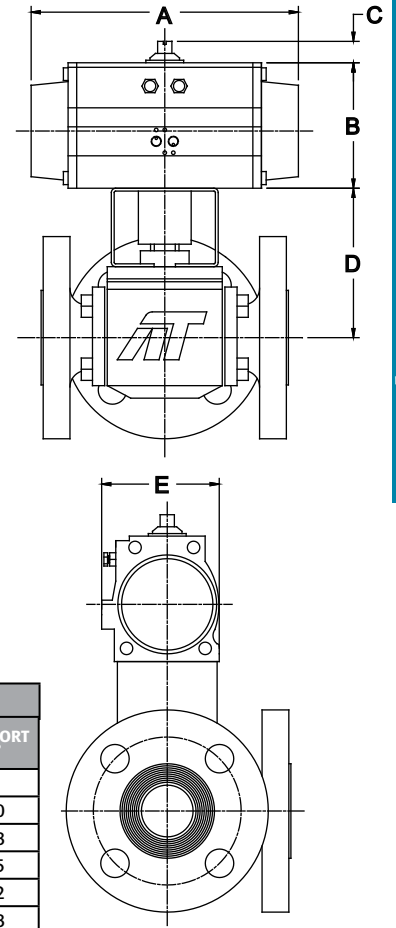
For 10" and above, call factory

STANDARDS

Design ANSI/ASME B16.34
Flanged Ends ANSI/ASME B16.5
Face-to-Face (per factory's standard)
Pressure Testing API 598
Mounting ISO 5211
Marking System for Valves MSS SP-25
Material Certification EN 10204-3.1 MTR
Quality Assurance ISO 9001:2008



Flanged 3-Way



SERIES 30 3-Way

DIMENSIONS (IN)

VALVE SIZE	A	B	C	D	E
1-1/2"	9.29	4.49	0.79	5.04	4.41
2"	11.46	5.28	0.79	5.43	5.20
2-1/2"	13.90	6.18	0.79	8.11	6.04
3"	13.90	6.18	0.79	8.15	6.04
4"	15.16	6.93	1.18	9.29	6.69
6"	25.44	10.12	1.18	13.28	9.29
8"	25.44	10.12	1.18	14.07	9.29
10"	CF	CF	CF	CF	CF
12"	CF	CF	CF	CF	CF

Valve Cv	
T-PORT STRAIGHT THRU	L & T-PORT 90°
198	50
430	120
670	158
1,170	275
2,070	422
5,000	788
8,800	1,828
13,500	3,159
20,130	4,626

DIMENSIONS SHOWN ARE FOR ASSEMBLIES SIZED FOR 80 PSI SUPPLY

**SIZED FOR
80 psi AIR SUPPLY**

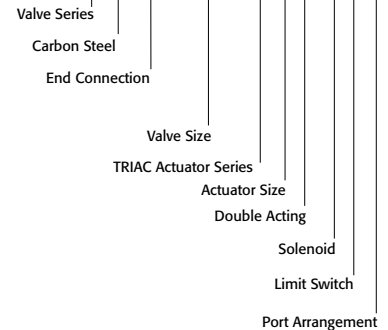
SIZE	MODEL
1-1/2"	30-F1-150/2R3D-XX-T
2"	30-F1-200/2R5D-XX-T
2-1/2"	30-F1-250/2R6D-XX-T
3"	30-F1-300/2R6D-XX-T
4"	30-F1-400/2R7D-XX-T
6"	30-F1-600/2R0D-XX-T
8"	30-F1-800/2RBD-XX-T
10"	CF
12"	CF

**SIZED FOR
60 psi AIR SUPPLY**

SIZE	MODEL
1-1/2"	30-F1-150/2R4D-XX-T
2"	30-F1-200/2R6D-XX-T
2-1/2"	30-F1-250/2R6D-XX-T
3"	30-F1-300/2R7D-XX-T
4"	30-F1-400/2R8D-XX-T
6"	30-F1-600/2RBD-XX-T
8"	CF
10"	CF
12"	CF

SAMPLE PART #

30C-F1-150/2R3D-XX-T



OPTIONS

DESCRIPTION	PART NO. SUFFIX	DESCRIPTION	PART NO. SUFFIX
NEMA 4 Solenoid	(A)	NEMA 4 Limit Switch (2) spdt	(A)
NEMA 7 Solenoid	(B)	NEMA 7 Limit Switch (2) spdt	(B)
Intrinsically Safe Solenoid	(C)	Intrinsically Safe Limit Switch	(C)

Other options available - call for details Actuators are sized based on clean/clear fluid.
Specify flow pattern when ordering (see back) See part # matrix for complete model #



9955 International Blvd. PHONE (513) 247-5465
Cincinnati, Ohio 45246 FAX (513) 247-5462
www.atcontrols.com sales@atcontrols.com



Pneumatic Spring Return Automated Ball Valve Package Series 30 3-Way Flanged Ball Valve

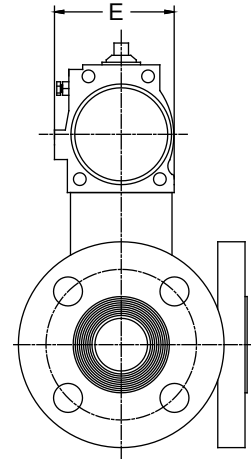
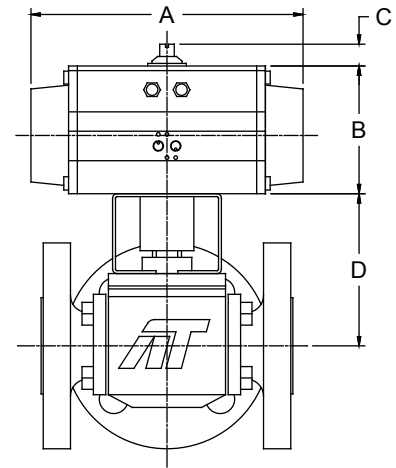
Sizes 1-1/2" - 12"
 316SST or WCB
 Full Port Design
 ANSI Class 150 and 300
 1-pc Ball & Stem
 Blowout Proof Stem
 RTFE Seats Standard
 "L" or "T" Port Option
 Trunnion Ball Design
 Lockable Manual Handle
 For 8" and above, call factory

STANDARDS

Design	ANSI/ASME B16.34
Flanged Ends	ANSI/ASME B16.5
Face-to-Face	(per factory's standard)
Pressure Testing	API 598
Mounting	ISO 5211
Marking System for Valves	MSS SP-25
Material Certification	EN 10204-3.1 MTR
Quality Assurance	ISO 9001:2008



Flanged 3-Way



SERIES 30 3-Way

DIMENSIONS (IN)

VALVE SIZE	A	B	C	D	E
1-1/2"	13.9	6.18	0.79	5.04	6.04
2"	13.9	6.18	0.79	5.43	6.04
2-1/2"	20.95	8.31	1.18	7.78	7.64
3"	22.68	9.17	1.18	7.78	8.43
4"	24.37	10.12	1.18	8.90	9.29
6"	40.50	10.12	1.18	13.28	9.29
8"	CF	CF	CF	CF	CF
10"	CF	CF	CF	CF	CF
12"	CF	CF	CF	CF	CF

Valve Cv	
T-PORT STRAIGHT THRU	L & T-PORT 90°
198	50
430	120
670	158
1,170	275
2,070	422
5,000	788
8,800	1,828
13,500	3,159
20,130	4,626

DIMENSIONS SHOWN ARE FOR ASSEMBLIES SIZED FOR 80 PSI SUPPLY

SIZED FOR 80 psi AIR SUPPLY	
SIZE	MODEL
1-1/2"	30-F1-150/2R6S-XX-T
2"	30-F1-200/2R6S-XX-T
2-1/2"	30-F1-250/2R8S-XX-T
3"	30-F1-300/2R9S-XX-T
4"	30-F1-400/2R0S-XX-T
6"	30-F1-600/2RBS-XX-T
8"	CF
10"	CF
12"	CF

SIZED FOR 60 psi AIR SUPPLY	
SIZE	MODEL
1-1/2"	30-F1-150/2R6S-XX-T
2"	30-F1-200/2R7S-XX-T
2-1/2"	30-F1-250/2R8S-XX-T
3"	30-F1-300/2R9S-XX-T
4"	30-F1-400/2RAS-XX-T
6"	*See below
8"	CF
10"	CF
12"	CF

* 6" @ 60 PSI air supply requires a S09SC280AF Heavy Duty actuator.

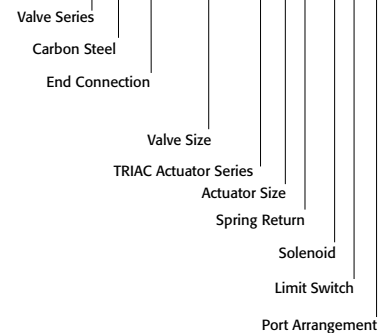
OPTIONS

DESCRIPTION	PART NO. SUFFIX	DESCRIPTION	PART NO. SUFFIX
NEMA 4 Solenoid	(A)	NEMA 4 Limit Switch (2) spdt	(A)
NEMA 7 Solenoid	(B)	NEMA 7 Limit Switch (2) spdt	(B)
Intrinsically Safe Solenoid	(C)	Intrinsically Safe Limit Switch	(C)

Other options available - call for details Actuators are sized based on clean/clear fluid.
 Specify flow pattern when ordering (see back) See part # matrix for complete model #

SAMPLE PART

30C-F1-150/2R3S-XX-T



A-T Controls, Inc.

9955 International Blvd.
 Cincinnati, Ohio 45246
 www.atcontrols.com

PHONE (513) 247-5465
 FAX (513) 247-5462
 sales@atcontrols.com



Electric Automated Ball Valve Package Series 30 3-Way Flanged Ball Valve

Sizes 1-1/2" -12"

316SS or WCB

Full Port Design

ANSI Class 150 and 300

1-pc Ball & Stem

Blowout Proof Stem

RTFE Seats Standard

"L" or "T" Port Option

Trunnion Ball Design

Lockable Manual Handle

For 8" and above, call factory

STANDARDS

Design

Flanged Ends

Face-to-Face

Pressure Testing

Mounting

Marking System for Valves

Material Certification

Quality Assurance

ANSI/ASME B16.34

ANSI/ASME B16.5

(per factory's standard)

API 598

ISO 5211

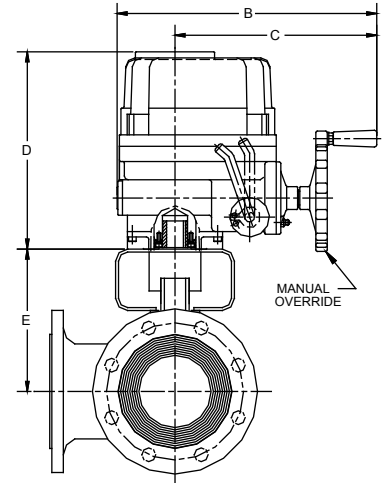
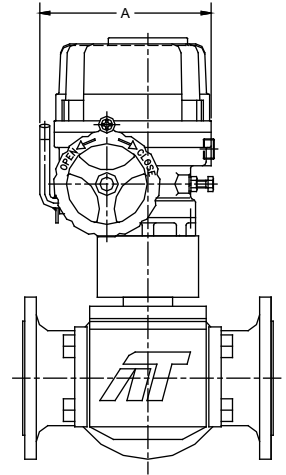
MSS SP-25

EN 10204-3.1 MTR

ISO 9001:2008



Flanged 3-Way



DIMENSIONS (IN)

VALVE SIZE	A	B	C	D	E
1-1/2"	6.69	10.16	8.19	9.25	5.04
2"	9.02	13.31	10.43	10.55	5.43
2-1/2"	10.20	14.49	11.26	11.42	8.11
3"	10.20	14.49	11.26	11.97	8.15
4"	10.20	14.49	11.26	11.97	9.29
6"	12.56	16.14	12.09	22.17	13.28
8"	CF	CF	CF	CF	CF
10"	CF	CF	CF	CF	CF
12"	CF	CF	CF	CF	CF

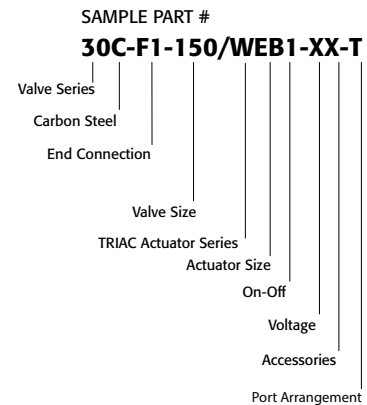
Valve Cv

T-PORT STRAIGHT THRU	L & T-PORT 90°
198	50
430	120
670	158
1,170	275
2,070	422
5,000	788
8,800	1,828
13,500	3,159
20,130	4,626

SERIES 30 3-Way

ON-OFF	
SIZE	MODEL
1-1/2"	30-F1-150/WEB1-XX-T
2"	30-F1-200/WEC1-XX-T
2-1/2"	30-F1-250/WEE1-XX-T
3"	30-F1-300/WEF1-XX-T
4"	30-F1-400/WEG1-XX-T
6"	30-F1-600/WEK1-XX-T
8"	CF
10"	CF
12"	CF

MODULATING	
SIZE	MODEL
1-1/2"	30-F1-150/WEB2-XX-T
2"	30-F1-200/WEC2-XX-T
2-1/2"	30-F1-250/WEE2-XX-T
3"	30-F1-300/WEF2-XX-T
4"	30-F1-400/WEG2-XX-T
6"	30-F1-600/WEK2-XX-T
8"	CF
10"	CF
12"	CF



OPTIONS

DESCRIPTION

24 VAC/24 VDC/220VAC

Feedback potentiometer

NOTE: Heater and thermostat standard
(2) auxiliary switches standard

Other options available - call for details

Actuators are sized based on clean/clear fluid.

See valve part number matrix for complete part number and options.



Valve Options

Various Seat Materials

PTFE, RTFE, 50/50 STFE, 25% CTFE, Delrin, PEEK, UHMWPE, TFM-1600

Operator Options

Quarter-turn Gear Operators
Spring Return "Deadman" Handles
Oval handles, TEE Handles

Specials and Solutions

Steam Jackets
Stem Extensions
V-ported Control Valves
Multi-port Valve Solutions
Fugitive Emissions Bonnets (TSM's)
Oxygen Cleaning
Lockout Brackets
Vented Balls
"No Play" Mounting Kits

• FM Approved Valves and Assemblies



Manual and automated valve assemblies for gas burner management applications and safety shutoff

Other Products

Special Seats Balls and Seal Designs



Steam Jacketed Valves



Floor Mounted Damper Drives



Limit Switches Mounted on Manual Valves



Fusible Link Assemblies



180° Actuators



Lockout Mounting Kits



Stem Extensions



Special Multi-Port Valves



Dual Valve Assemblies

