

### Design Features

- Dry pump cavity
- Self-priming operation
- Runs dry without damage
- Complete isolation of fluid pumped
- Heavy-duty roller bearings
- Variety of pump configurations, flows, and pressure ratings
- No dynamic seals, cups or packing to leak, wear or replace
- Reversible flow
- Low maintenance

### Materials of Construction

#### Non-wetted Parts

Casing & Front Cover: Cast Iron

Rotor Assembly: Aluminum

Rollers: Aluminum

#### Wetted Parts

Hose:

FIBER BRAIDED – EPDM, Hypalon, Nitrile Rubber, Natural Rubber  
(regular and heavy-duty)

Inlet/Outlet Connections:

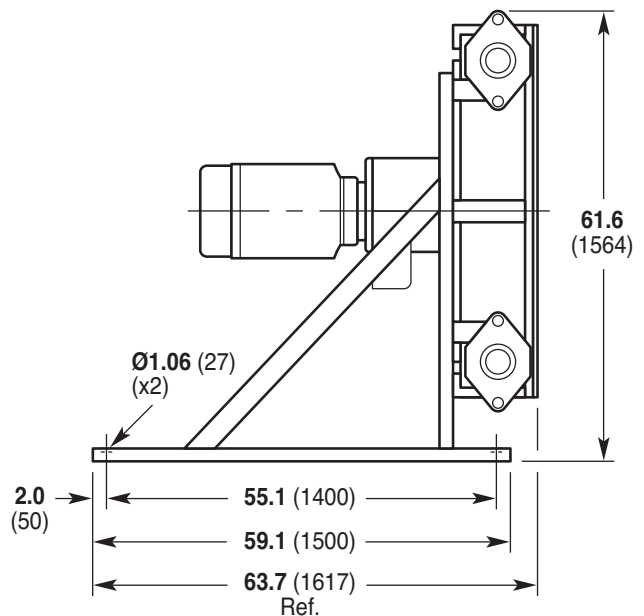
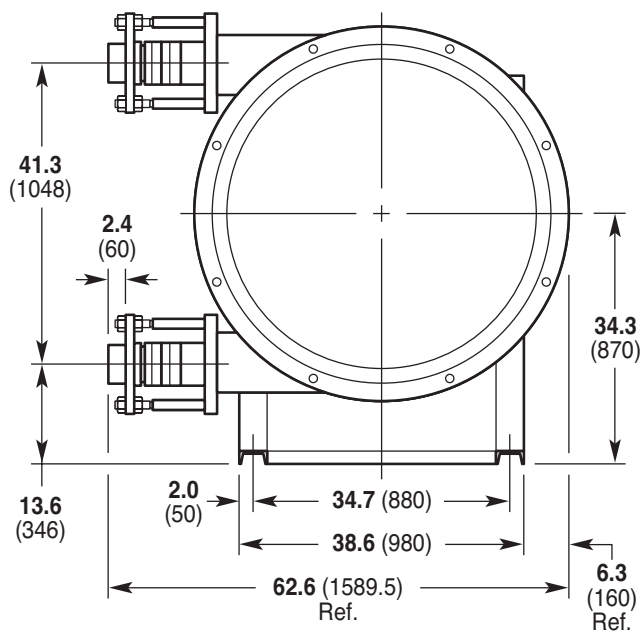
Carbon Steel ANSI Flange, Nylon & PVC NPT



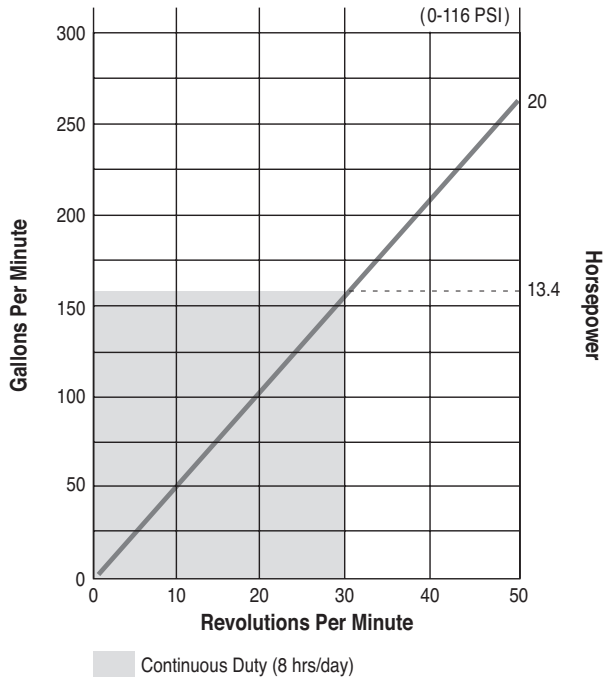
### Dimensional Drawings

Inches (mm)

See Ordering Information for motor and gearbox sizes



### Performance



### Fluid Characteristics

Viscosity:	100,000 cps max.
Liquid Temperature:	180°F (82°C) max.
Solid Size:	(see page 4)
Fiber Length:	36 inch (914 mm) max.

### Specifications

Discharge Pressure:	116 psig (8 bar) max.
Suction Lift:	22 ft. (7.3 m)
Suction Pressure:	21 psig (1.4 bar) max.
Horsepower:*	20 max.
Hose Size:	100 x 144 x 3250 mm
Displacement:	5.28 gal/rev
Lubrication Fluid:	15.85 gal max.
Weight (pump only):	1,984 lbs. (900 kg)
Weight (with drive):	2,535 lbs. (1,152 kg)

\*Pumps are shaft driven and require a gearbox and motor.  
See Ordering Information for details.

### Model 2010 Ordering Information

A complete Vector pump order number uses a 9-character order code to identify the desired hose, fittings and drive. Select the appropriate items from the chart below and use the order code from each group to complete the pump assembly order number.

1	2	3	4	-	5	6	-	7	8	-	9
2	0	1	0	-			-			-	

Order Digit	Order Code	Description
<b>1-4</b>	<b>2010</b>	<b>Pump Designation</b> Model 2010 Shaft Drive Pump
<b>5-6</b>	<b>BS</b> <b>EF</b> <b>HS</b> <b>MS</b>	<b>Hose Material/Type</b> Oil-rated Nitrile, fiber-braided EPDM, fiber-braided Hypalon, fiber-braided (70 psig max.) Natural Rubber, fiber-braided
<b>7-8</b>	<b>DD</b> <b>NN</b> <b>PP</b>	<b>Connector Material/Style</b> Carbon Steel, 6" ANSI flange Nylon, 5" ANSI flange (200°F/93.3°C max.) PVC, 5" ANSI flange (176°F/80°C max.)
<b>9-10</b>	<b>Flow GPM</b> <b>Gear Ratio</b> <b>Pump RPM</b> <b>Max Psig</b>	<b>Drive</b> <b>3Ø, 10 BHP TEFC, 230-460 VAC, 60 Hz</b> <b>4:1 Constant Torque Speed Range</b> <b>B2</b> 52 174:1 10 116 <sup>(1)</sup> <b>F2</b> 79 114:1 15 116 <sup>(1)</sup> <b>3Ø, 15 BHP TEFC, 230-460 VAC, 60 Hz</b> <b>4:1 Constant Torque Speed Range</b> <b>G2</b> 104 89:1 20 116 <sup>(1)</sup> <b>M2</b> 153 59:1 29 116 <sup>(1)</sup> <b>3Ø, 20 BHP TEFC, 230-460 VAC, 60 Hz</b> <b>3:1 Constant Torque Speed Range</b> <b>T2</b> 211 44:1 40 100 <sup>(1)</sup> <b>A</b> No Drive

<sup>1</sup> ( ) Fluid Viscosity	Pressure Range
0 - 500 cps	0 - 75 psig
500 - 100,000 cps	0 - 100 psig