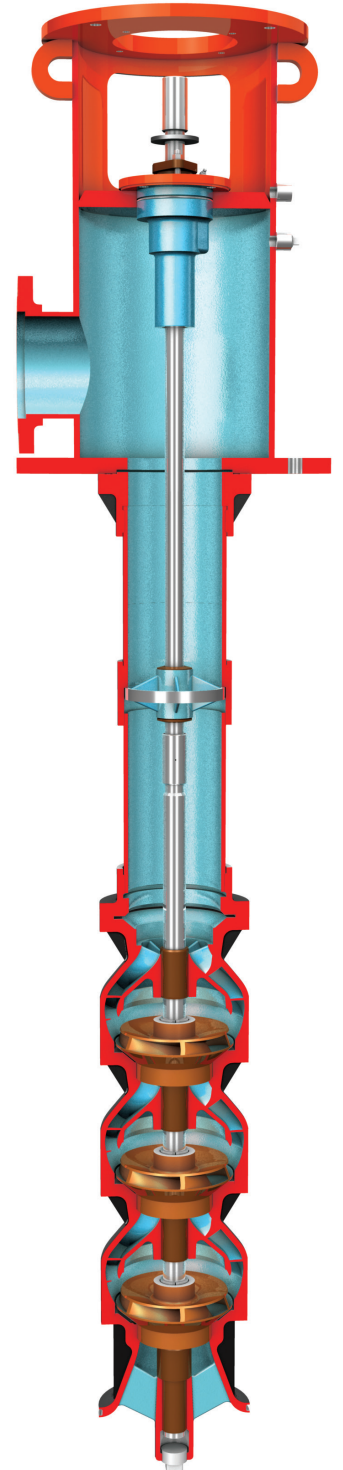
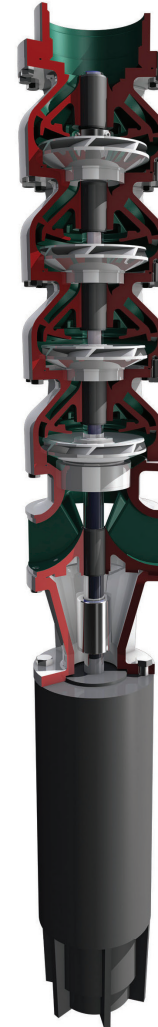


# Safe Clean Drinking Water IT MATTERS!

Pumps CERTIFIED to:  
NSF/ANSI 61 Annex G  
NSF/ANSI 372



Conforming to the **lead free** requirements of the U.S. Safe Drinking Water Act.



QR Code takes you to the NSF link.



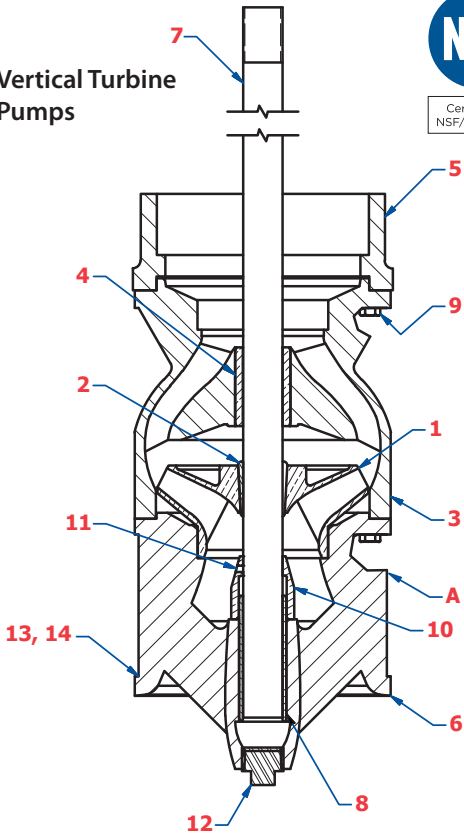
PERFORMANCE | QUALITY | SERVICE | TRUST

Vertical Turbine Pumps



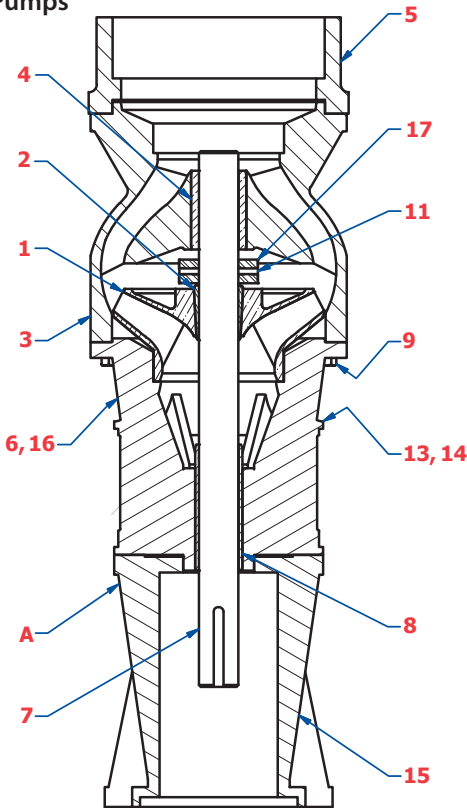
# VERTICAL TURBINE PUMPS & SUBMERSIBLE TURBINE PUMPS

6" - 30" Diameter Designs | Flows to 20,000 GPM | Heads to 1,500 FT  
 Certified to NSF/ANSI 61-G and NSF/ANSI 372 per the materials below.



REF #	DESCRIPTION	MATERIAL
1	IMPELLER	BRONZE C87600
2	IMPELLER COLLET	316 STAINLESS STEEL UNS S31600
3	BOWL	CAST IRON ENAMEL LINED ASTM A48 OR DUCTILE IRON ASTM A536
4	BOWL BEARING	BISMUTH BRONZE C89835
5	COLUMN ADAPTOR	CAST IRON ASTM A48
6	SUCTION BELL/CASE	CAST IRON ASTM A48
7	BOWL SHAFT	416 STAINLESS STEEL UNS 41600
8	SUCTION BEARING	BISMUTH BRONZE C89835
9	HEX HEAD CAP SCREW	316 STAINLESS STEEL UNS 31600
10	SAND COLLAR	BISMUTH BRONZE C89835
11	SET SCREW	316 STAINLESS STEEL UNS S31600
12	BOTTOM PLUG	304 STAINLESS STEEL UNS 530400
13	NAME PLATE BOWL ASSEMBLY	304 STAINLESS STEEL UNS 530400
14	DRIVE SCREWS	303 STAINLESS STEEL UNS S30300
15	SUBMERSIBLE MOTOR BRACKET	DUCTILE IRON ASTM A536
16	INLET SCREEN (Not Shown)	304 STAINLESS STEEL UNS S30400
17	SUBMERSIBLE THRUST COLLAR	316 STAINLESS STEEL UNS S31600
A	NSF APPROVED COATING (Opt.)	TNEMEC SERIES N140 POTA-PAX PLUS

Submersible Turbine Pumps



Column Pipe, Discharge Head, Line Shaft Assembly and Stuffing Box Assembly are in compliance with NSF/ANSI 61.

## NSF COMPLIANT MATERIALS

National Pump has obtained NSF Certification using the materials of construction and pump features listed in the above chart. For projects where alternative materials are specified, such as Tin Bronze, Aluminum Bronze, or Nickel Aluminum Bronze; or additional pump features such as impeller and/or bowl wear rings, etc., consideration should be given to offering Stainless Steel material substitutions or additions which are compliant under the NSF standard.

Both 304 or 316 Stainless Steel impeller material options are available for 6 inch to 30 inch pumps, for quick shipments on selected models. Please call for further information.

