

Q155 PRO SERIES LOW PRESSURE

Maximum Flow Rate: 157 gpm (595 l/min) 5383 BPD
Maximum Pressure: 2100 psi (145 bar)

 **WANNER™** HYDRA-CELL® PRO
SEAL-LESS PUMP TECHNOLOGIES



AVAILABLE
TO MEET

674

UK
CA  

*Q155 Pro Series low-pressure model
with Stainless Steel pump head.*

Positive displacement, multiple-diaphragm pumps with seal-less design that provides full containment of the pumping chamber.

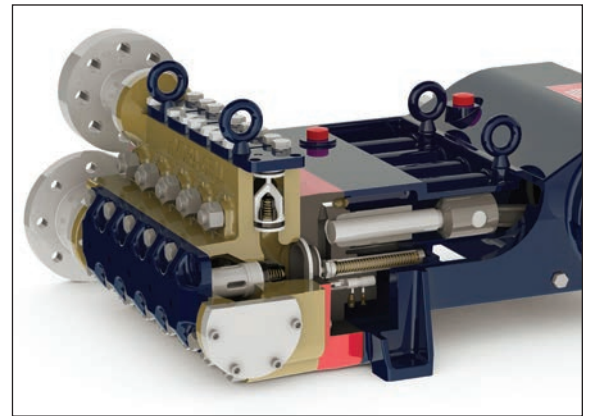
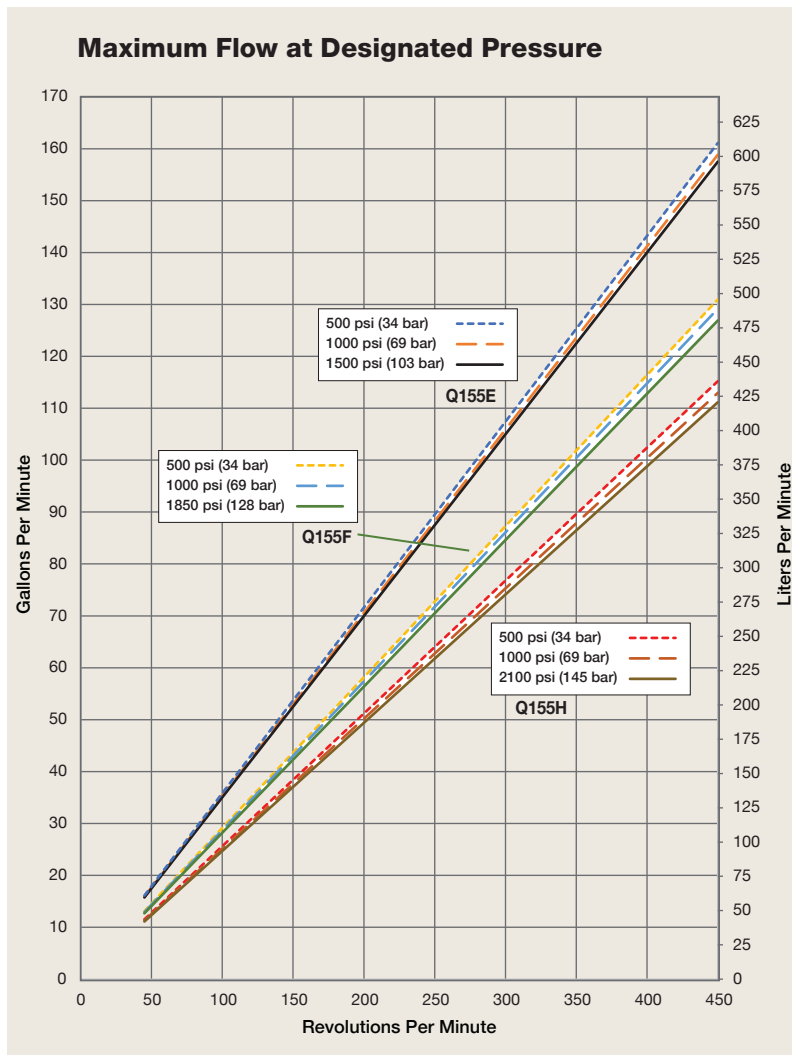
- Seal-less design separates the power end from the process fluid end, eliminating leaks, hazards, and the expense associated with seals and packing.
- Low NPSH requirements allow for operation with a vacuum condition on the suction - positive suction pressure is not necessary.
- Can operate with a closed or blocked suction line and run dry indefinitely without damage, eliminating downtime and repair costs.
- Unique diaphragm design handles more abrasives with less wear than gear, screw or plunger pumps.
- Hydraulically balanced diaphragms to handle high pressures with low stress.
- Lower energy costs than centrifugal pumps and other pump technologies.
- Rugged construction for long life with minimal maintenance.
- Compact design and double-ended shaft provide a variety of installation options.

Q155 Pro Low Pressure | Performance

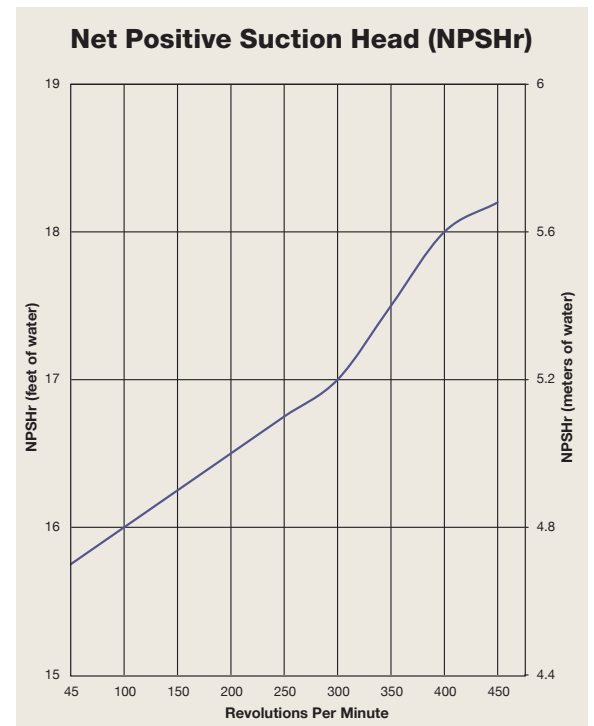
Capacities

Model	Max. Input rpm	Plunger Dia.		Max. Flow Capacities			Max. Pressure Ratings			
		inches	mm	gpm	l/min	BPD	Discharge		Inlet	
							psi	bar	psi	bar
Q155E	450	2.500	64	157	595	5383	1500	103	500	34
Q155F	450	2.250	57	127	490	4354	1850	128	500	34
Q155H	450	2.125	54	111	421	3806	2100	145	500	34

Consult factory when operating below 45 rpm



Hydra-Cell Pro Q155 is a positive displacement, multiple-diaphragm pump featuring a seal-less design that provides full containment of the pumping chamber. This means there are no VOC emissions when operating Hydra-Cell and no packing or dynamic seals that pose environmental issues from leakage.



Due to the Wanner Engineering Continuous Improvement Program, specifications and other data are subject to change.

Q155 Pro Low Pressure | Specifications

Flow Capacities

Model	Pressure psi (bar)	rpm	gpm	l/min	BPD
Q155E	1500 (103)	450	157	595	5383
Q155F	1850 (128)	450	127	490	4354
Q155H	2100 (145)	450	111	421	3806

Delivery

	Pressure psi (bar)	gal/rev	liters/rev
Q155E	500 (34)	0.358	1.354
	1000 (69)	0.353	1.338
	1500 (103)	0.350	1.323
Q155F	500 (34)	0.291	1.102
	1000 (69)	0.287	1.085
	1850 (128)	0.282	1.068
Q155H	500 (34)	0.256	0.967
	1000 (69)	0.251	0.951
	2100 (145)	0.247	0.936

rpm

Maximum:	450
Maximum API 674:	375
Minimum:	45

(Consult factory for speeds less than 45 rpm.)

Maximum Discharge Pressure

Metallic Heads:	Q155E	1500 psi (103 bar)
	Q155F	1850 psi (128 bar)
	Q155H	2100 psi (145 bar)

Maximum Inlet Pressure

500 psi (34 bar)

Operating Temperature

Maximum:	180°F (82.2°C)
Minimum:	40°F (4.4°C)

Consult factory for temperatures outside this range.

Maximum Solids Size

800 microns

Input Shaft

Left or Right Side

Inlet Ports

Weld-On: 4" / SCH. 40
4" NPT, 4" Class 300 RF ANSI Flange

Discharge Ports

Weld-On: 3" / SCH. 80
3" NPT, 3" Class 900 RF ANSI Flange

Plunger Stroke Length

3-1/2 inch (88.9 mm)

Shaft Diameter

3 inch (76.2 mm)

Shaft Rotation

Uni-directional (See rotation arrow.)

Calculating Required Horsepower (kW)*

$$\frac{\text{gpm} \times \text{psi}}{1,460} = \text{electric motor hp}^*$$

$$\frac{\text{lpm} \times \text{bar}}{511} = \text{electric motor kW}^*$$

* hp (kW) is required application power.

Attention!

When sizing motors with variable speed drives (VFD): It is very important to select a motor and a VFD rated for constant torque inverter duty service and that the motor is rated to meet the torque requirements of the pump throughout desired speed range.

Due to the Wanner Engineering Continuous Improvement Program, specifications and other data are subject to change.

Oil Capacity

32 US quarts (30.3 liters) - blank back cover
34 US quarts (32.2 liters) - oil level back cover
See page 5 for oil selection and specification.

Weight

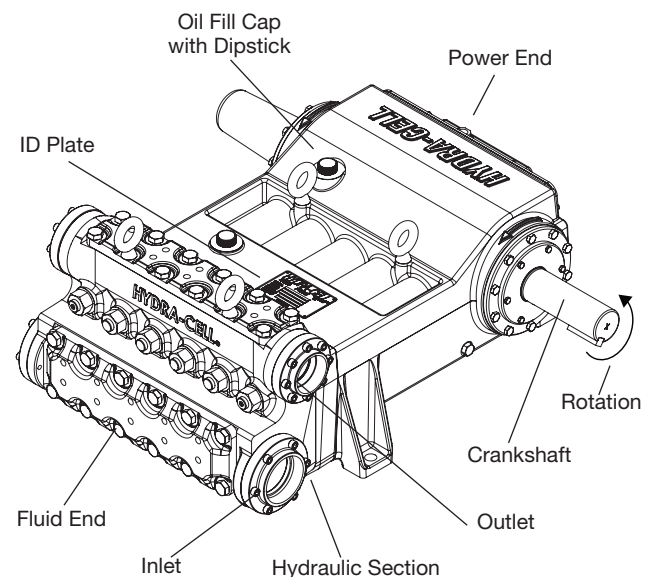
Metallic Heads: 1700 lbs. (771 kg)

Fluid End Materials

Manifold:	Nickel Aluminum Bronze (NAB)
	Duplex Alloy 2205 Stainless Steel
	316L Stainless Steel CF3M
	Hastelloy CX2M
Diaphragm/Elastomers:	FKM
	Buna-N
	Aflas
Diaphragm Follower Screw:	EPDM
	316 Stainless Steel
Valve Spring Retainer:	316 SST
	Hastelloy C
Check Valve Spring:	Elgiloy
	Hastelloy C
	Tungsten Carbide
Valve Disc/Seat:	17-4 Stainless Steel
	Nitronic 50
	Hastelloy C
Diaphragm Follower Screw:	316 Stainless Steel
Outlet Valve Retainer:	316 Stainless Steel
Plug-Outlet Valve Port:	316 Stainless Steel
Inlet Valve Retainer:	316 Stainless Steel

Power End Materials

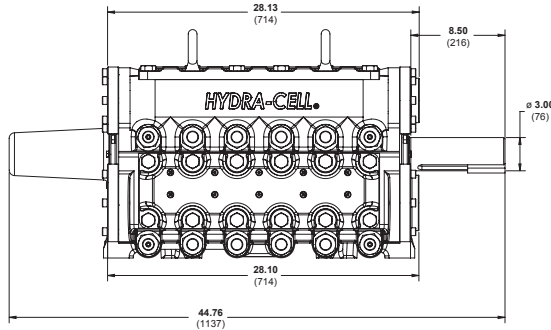
Crankshaft:	Forged Q&T Alloy Steel
Connecting Rods:	Ductile Iron
Crossheads:	12L14 Steel
Crankcase:	Ductile Iron
Bearings:	Spherical Roller/Bronze Journal (outer mains)
	Steel Backed Babbitt (crankpin)
	Bronze (wristpin, center mains)



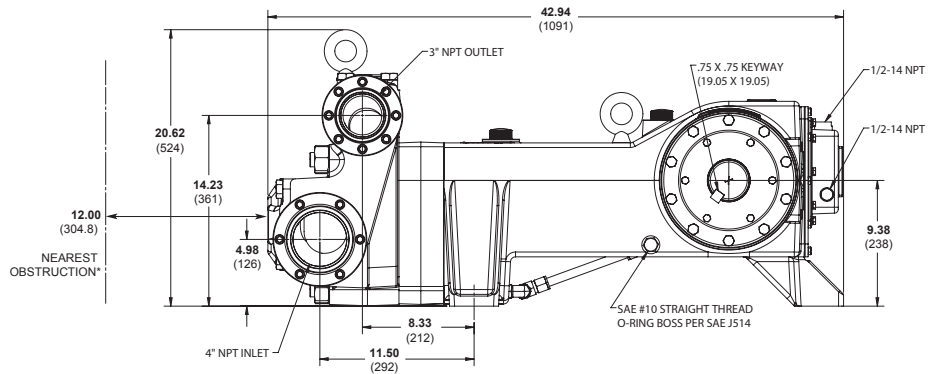
Q155 Pro Low Pressure | Drawings

Threaded Version Inches (mm)

Front View

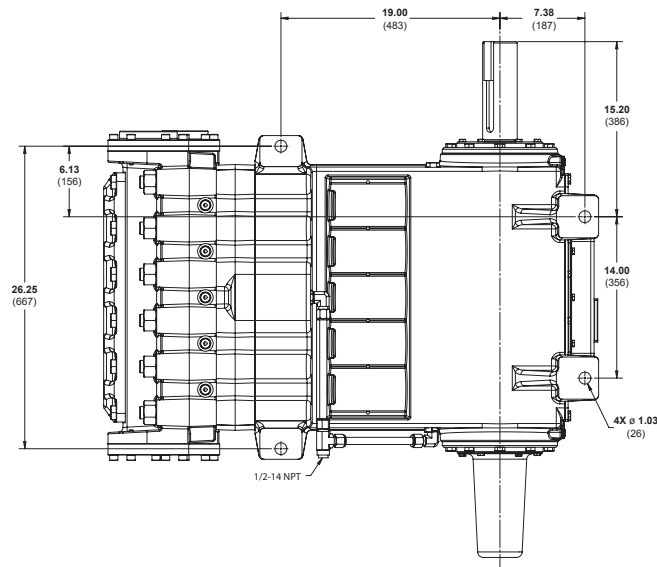


Side View



*Contact factory for obstruction distances closer than 12 inches (304.8 mm).

Bottom View



Note: Dimensions are for reference only. Contact factory for certified drawings.

Q155 Pro Low Pressure | How to Order

Ordering Information

A complete Q155 Pro Series Low Pressure Model contains 14 digits including 10 customer-specified design and materials options, for example: Q155ERDGHFETAC.

1	2	3	4	5	6	7	8	9	10	11	12	13	14
Q	1	5	5										

Low Pressure

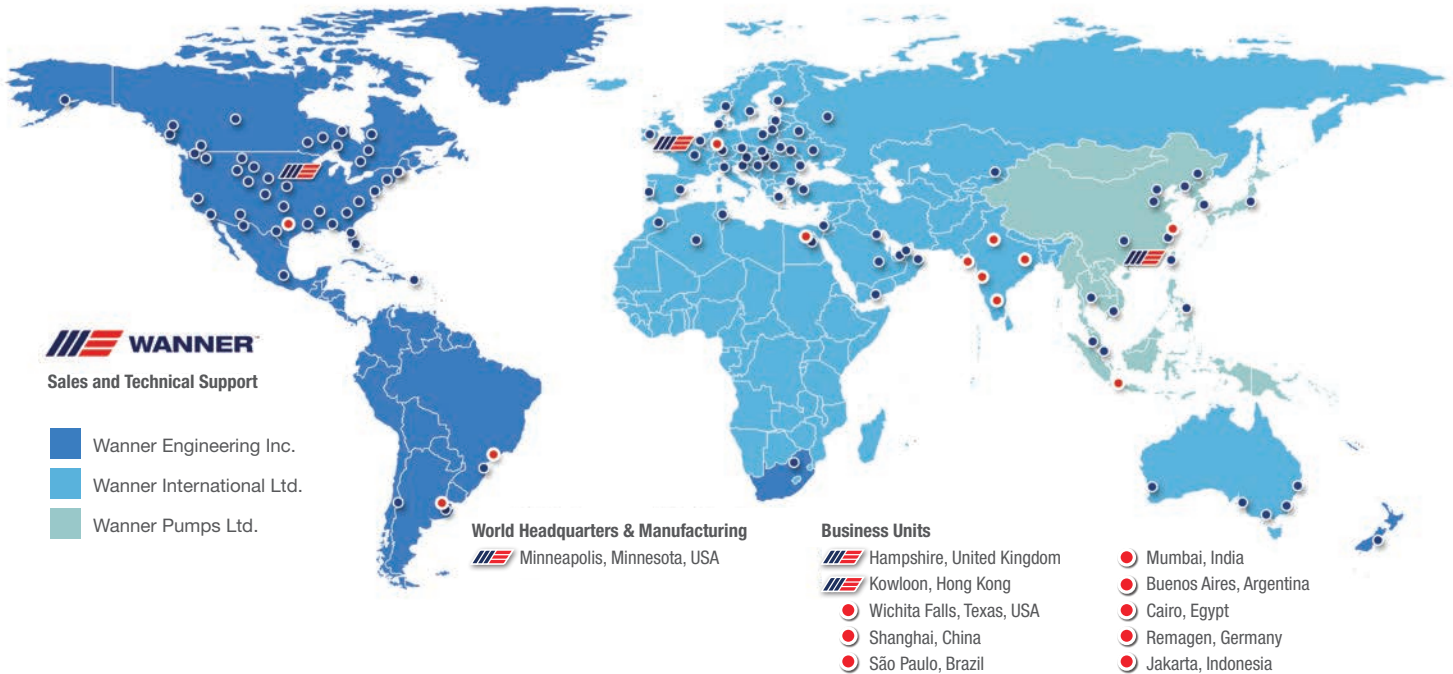
Digit	Order Code	Description
1-4	Q155	Pump Configuration Shaft-driven
5		Performance
	E	Max. 157 gpm (595 l/min) 5383 BPD @ 1500 psi (103 bar)
	F	Max. 127 gpm (490 l/min) 4354 BPD @ 1850 psi (128 bar)
	H	Max. 111 gpm (421 l/min) 3806 BPD @ 2100 psi (145 bar)
6		Pump Head Version
	A	NPT Ports (Steel)
	C	Weld Neck (Steel)
	D	Weld Neck (316L Stainless Steel)
	E	Weld Neck (Hastelloy)
	F	Weld Neck (Duplex Alloy 2205 Stainless Steel)
	G	ANSI Flanged Ports (Duplex Alloy 2205 Stainless Steel)
	T	ANSI Flanged Ports (Hastelloy)
7		Pump Head Material
	D	Nickel Aluminum Bronze (NAB)
	G	Duplex Alloy 2205 Stainless Steel
	S	316 Stainless Steel CF3M
	T	Hastelloy CX2M
8		Diaphragm & O-ring Material
	A	Aflas
	E	EPDM (requires EPDM-compatible oil – Digit 13 oil code D)
	G	FKM
	T	Buna-N
9		Valve Seat Material
	D	Tungsten Carbide*
	H	17-4 Stainless Steel
	N	Nitronic 50
	T	Hastelloy C
10		Valve Material
	D	Tungsten Carbide*
	F	17-4 Stainless Steel
	N	Nitronic 50
	T	Hastelloy C

Digit	Order Code	Description
11		Valve Springs
	E	Elgiloy
	T	Hastelloy C
*Tungsten Carbide valve seat and disc are a matched set and must be purchased together.		
12		Valve Spring Retainers
	S	316 SST
	T	Hastelloy C
13		Hydra-Oil
	A	10W30 standard-duty oil
	B	40-wt. oil
	D	EPDM-compatible oil
	E	Food-contact oil
	H	15W50 high-temp severe-duty synthetic oil
14		Oil Level Monitor Cover
	C	Float switch, normally closed (recommended)
	O	Float switch, normally open
	S	Float switch, Class I, Div. 1, Groups A, B, C, D, . normally closed
	T	Float switch, Class I, Div. 1, Groups A, B, C, D, normally open
	W	Float switch, ATEX/IECEX, 4-20 mA analog output (qualification required)
	X	Float switch, ATEX/IECEX, discrete output (qualification required)
	Y	No switch, flat back cover

Note: The Oil Level Monitor Cover is an assembly that replaces the previous back cover on Q155 Series pumps. It contains a float switch assembly that can trigger an alarm or shutdown when pre-defined levels of high or low oil are reached. It may also be ordered without a float switch cover.



Partners in over 70 countries



Wanner worldwide

GLOBAL SALES & TECHNICAL SUPPORT

WANNER ENGINEERING, INC.™

WORLD HEADQUARTERS & MANUFACTURING

Minneapolis, Minnesota USA
t: 612-332-5681
e: sales@wannereng.com
Hydra-Cell.com

REGIONAL OFFICE

Wichita Falls, Texas USA
t: 940-322-7111
e: sales@wannereng.com

LATIN AMERICAN OFFICE

São Paulo, Brazil
t: +55 (11) 99582-1969
e: mmagoni@wannereng.com
Hydra-Cell-Pumps.com.br

WANNER INTERNATIONAL, LTD.™

UNITED KINGDOM

8 & 9 Fleet Business Park
Sandy Lane • Church Crookham
Hampshire UK GU52 8BF

t: +44 (0) 1252 816847
e: support@wannerint.com
Hydra-Cell.co.uk

WANNER PUMPS, LTD.™

Kowloon, HONG KONG

t: +852 3428 6534
e: sales@wannerpumps.com
WannerPumps.com

Shanghai, CHINA

t: +86-21-6876 3700
e: sales@wannerpumps.com
WannerPumps.com

