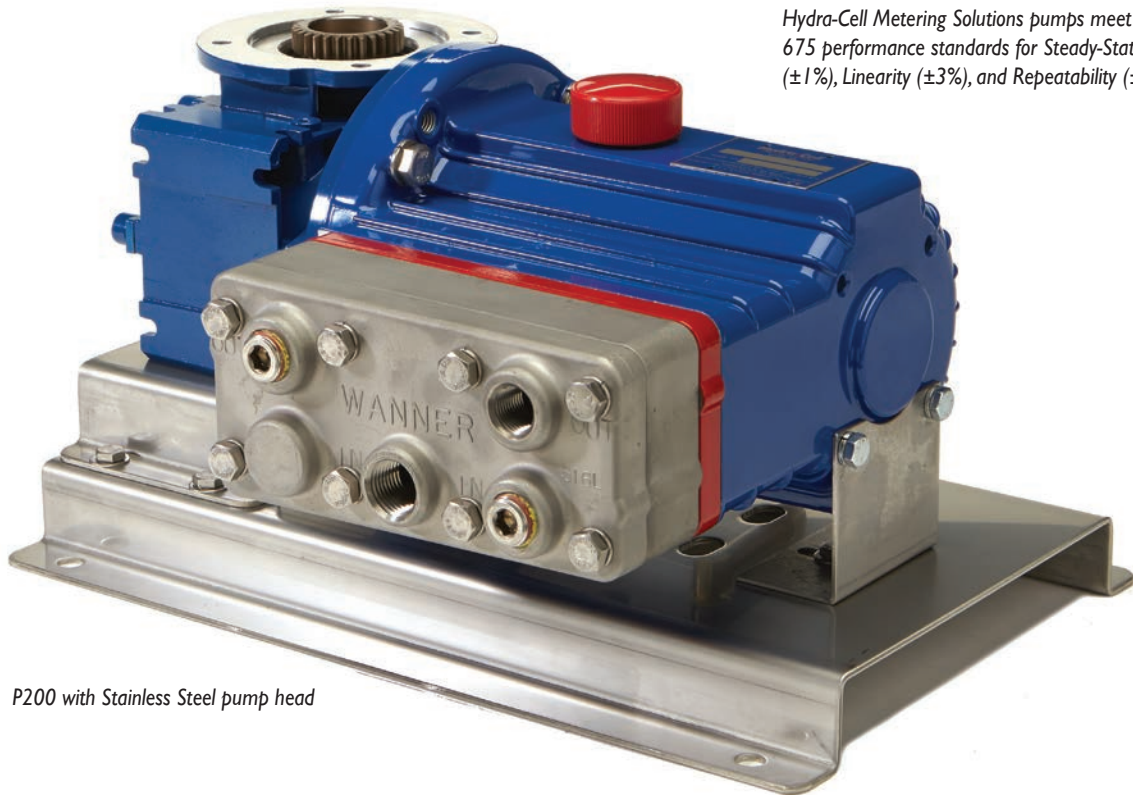


Hydra·Cell[®]

METERING SOLUTIONS™

P200 Series

Maximum Flow Rate: 81.0 gph (255.4 lph)
Maximum Pressure: 1000 psi (69 bar) for Metallic Pump Heads
350 psi (24 bar) for Non-metallic Pump Heads



Hydra-Cell Metering Solutions pumps meet or exceed API 675 performance standards for Steady-State Accuracy ($\pm 1\%$), Linearity ($\pm 3\%$), and Repeatability ($\pm 3\%$).

P200 with Stainless Steel pump head

Metering Pumps with “Pulse-Free” Linear Flow

- Handles a wide range of fluids from clear water to thick slurries
- Electronic flow control increases accuracy and reliability
- Smaller footprint saves valuable space
- One pump covers a wide range of flows and pressures - reducing inventory requirements with fast, simple field conversion
- Duplexing option doubles capacity and equipment savings
- Hydraulically-actuated, balanced diaphragms provide superior performance across entire pressure range
- Rugged construction with a variety of affordable choices for liquid end, diaphragm and check valve materials
- Seal-less design means no seals, cups, or packing to leak or replace
- A replenishment valve in every piston assembly ensures optimum actuating oil on every stroke for continuous accuracy

Performance

Flows are based upon lab testing of multiple pumps. However, flows listed are approximate values and pumps must be calibrated once installed into any system. Flow variations will occur, but calibration will ensure proper pump performance.

Maximum Flow (gph) at Designated Pressure (psi)

All Pumps (gph)		Metallic Pump Heads Only (gph)		Pump rpm	Gear Ratio	Motor rpm
100 psi	250 psi	500 psi	1000 psi			
3.378	3.321	3.249	3.128	30	60:1	1800
4.059	3.994	3.911	3.776	36	50:1	
5.072	5.015	4.908	4.748	45	40:1	
6.758	6.686	6.555	6.353	60	30:1	
8.107	8.022	7.873	7.637	72	25:1	
10.130	10.027	9.849	9.563	90	20:1	
13.503	13.369	13.14	12.77	120	15:1	
20.248	20.052	19.73	19.19	180	10:1	
26.993	26.735	26.32	25.62	240	7.5:1	
40.483	40.101	39.49	38.46	360	5:1	
53.97	53.47	52.66	51.30	480	7.5:1	3600
80.95	80.20	79.01	76.98	720	5:1	

Required Motor hp

1/4	1/2	3/4	1	1-1/2
-----	-----	-----	---	-------

Maximum Flow (lph) at Designated Pressure (bar)

All Pumps (lph)		Metallic Pump Heads Only (lph)		Pump rpm	Gear Ratio	Motor rpm
7 bar	17 bar	34 bar	69 bar			
10.65	10.48	10.25	9.868	25	60:1	1500
12.81	12.60	12.34	11.91	30	50:1	
16.00	15.82	15.48	14.98	37.5	40:1	
21.32	21.09	20.68	20.04	50	30:1	
25.57	25.31	24.83	24.09	60	25:1	
31.96	31.63	31.07	30.17	75	20:1	
42.59	42.17	41.46	40.29	100	15:1	
63.87	63.25	62.23	60.55	150	10:1	
85.15	84.34	83.01	80.80	200	7.5:1	
127.7	126.5	124.6	121.3	300	5:1	
170.3	168.7	166.1	161.8	400	7.5:1	3000
255.4	253.0	249.2	242.8	600	5:1	

Required Motor kW

0.18	0.25	0.37	0.55	0.75
------	------	------	------	------

Pump Data

Diaphragms per Liquid End	3
Flow Control	Electronic variable speed drive
Maximum Discharge Pressure	
Metallic Heads:	1000 psi (69 bar)
Non-metallic Heads:	PVDF- 350 psi (24 bar) Polypropylene- 250 psi (17 bar)
Maximum Inlet Pressure	250 psi (17 bar)
Maximum Operating Temperature	
<i>Consult factory for correct metallic head component selection for temperatures from 160 °F (71 °C) to 250 °F (121 °C).</i>	
Metallic Heads:	250 °F (121 °C)
Non-metallic Heads:	140 °F (60 °C)
Maximum Solids Size	200 microns
Inlet Port	1/2 inch NPT or BSPT
Discharge Port	3/8 inch NPT or BSPT
Shaft Rotation	Bi-directional
Oil Capacity	1.0 US quarts (0.95 liters)
Weight (less motor)	
Metallic Heads:	41.8 lbs (19.0 kg)
Non-metallic Heads:	32.8 lbs (14.9 kg)
Dimensions (less motor)	
<i>For NEMA 56 motor frames only; see page 6 for other motor frame sizes.</i>	
Metallic Heads:	15.59" W x 11.68" D x 8.97" H (396.1 mm W x 296.7 mm D x 227.8 mm H)
Non-metallic Heads:	15.59" W x 12.06" D x 8.97" H (396.1 mm W x 306.3 mm D x 227.8 mm H)

Accessories, Options and Services

Consult Wanner Engineering for complete details about available accessories and options as well as special services.

- Manifolds and Flanges
- Multiplexing Capability
- Different Gearbox Ratios
- Oil Cooler Systems
- Actuating Oils
- Magnetic Drain Plug
- Motors (Standard/Hazardous-duty)
- Controllers
- Control Freak™ Touch-screen Metering Controller
- SmartDrive Motor-Controller
- Calibration Cylinders
- Back Pressure Valves
- Pressure Relief Valves
- Pulsation Dampeners
- Demonstration (Cutaway) Units
- Testing Services
- System Components, Priming Kits and Plugs
- Replacement Part Kits and Tool Kits
- Customization Services



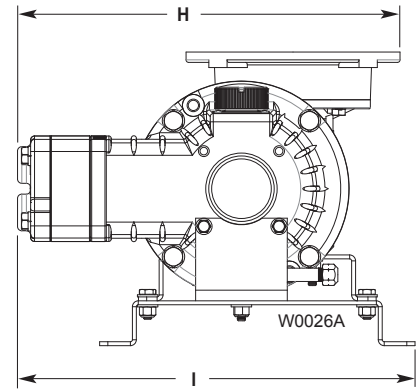
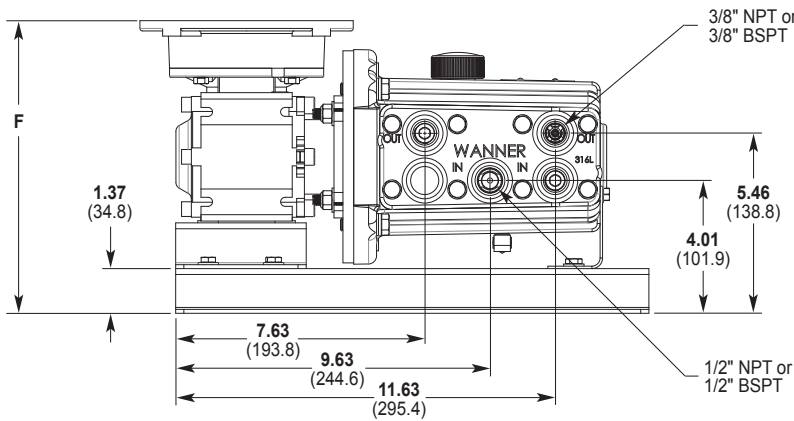
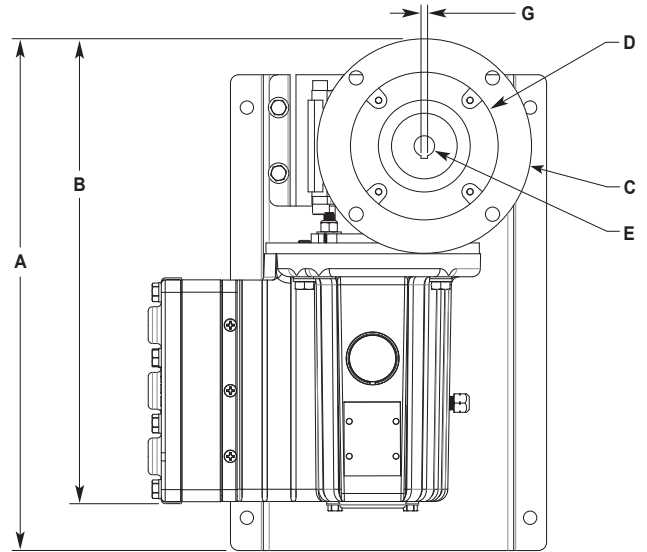
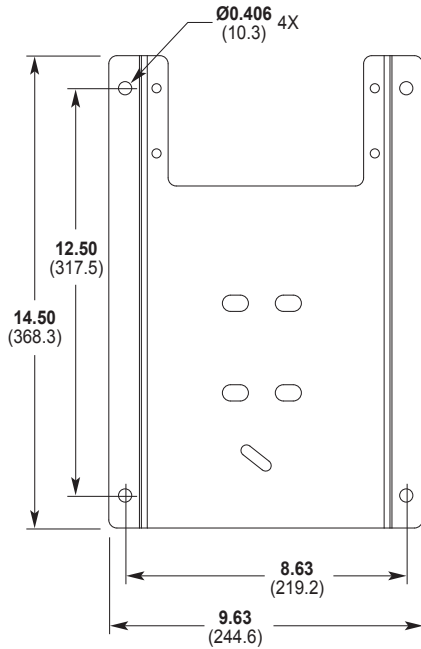
P200 with Polypropylene pump head



P200 with Brass pump head

Representative Drawings

Metallic and Non-metallic Pump Heads Inches (mm)



Dimensions: Inches (mm)

Input Frame Size	A	B	C	D	E	F	G (Square Key)	H		I	
								Metallic Pump Head	Plastic Pump Head	Metallic Pump Head	Plastic Pump Head
NEMA 56C	15.59 (396.1)	14.17 (359.8)	Ø 6.54 (Ø 166)	Ø 4.50 (Ø 114.3)	Ø 0.62 (Ø 15.7)	8.97 (227.8)	0.187 (4.7)	11.68 (296.7)	12.06 (306.3)	12.14 (308.3)	12.51 (317.75)
NEMA 143/145TC	17.53 (445.3)	16.04 (407.4)	Ø 6.54 (Ø 166.1)	Ø 4.50 (Ø 114.3)	Ø 0.88 (Ø 22.3)	11.09 (281.7)	0.187 (4.7)	11.68 (296.7)	12.06 (306.3)	12.14 (308.3)	12.51 (317.75)
IEC 63 B5	15.08 (383)	13.65 (346.7)	Ø 5.51 (Ø 140)	Ø 3.74 (Ø 95)	Ø 0.43 (Ø 11)	8.80 (223.5)	0.157 (4)	11.17 (283.7)	11.55 (293.4)	12.14 (308.3)	12.51 (317.75)
IEC 71 B5	15.48 (393.1)	14.05 (356.7)	Ø 6.30 (Ø 160)	Ø 4.33 (Ø 110)	Ø 0.55 (Ø 14)	8.80 (223.5)	0.196 (5)	11.56 (293.6)	11.94 (303.3)	12.14 (308.3)	12.51 (317.75)
IEC 80 B5	16.26 (413)	14.835 (376.7)	Ø 7.87 (Ø 200)	Ø 5.12 (Ø 130)	Ø 0.75 (Ø 19)	8.80 (223.5)	0.236 (6)	12.35 (313.7)	12.72 (323)	12.14 (308.3)	12.51 (317.75)
IEC 90 B5	16.26 (413)	14.835 (376.7)	Ø 7.87 (Ø 200)	Ø 5.12 (Ø 130)	Ø 0.94 (Ø 24)	9.24 (234.7)	0.314 (8)	12.35 (313.7)	12.72 (323)	12.14 (308.3)	12.51 (317.75)

P200 Series

How to Order

A complete pump order number contains 13 digits based on the specified pump materials listed below.

1	P	2	0	0									
----------	----------	----------	----------	----------	--	--	--	--	--	--	--	--	--

Pump Configuration (Digits 1-4)

P200 For all P200 Pumps (Non Kel-Cell)

Pump Version (Digit 5)

N NPT Ports (NEMA motors only)
M BSPT Ports (IEC motors only)
X ATEX BSPT Ports (IEC motors only)

Pump Head / Retainer Material (Digit 6)

B Brass / Hastelloy C
M PVDF / PVDF
P Polypropylene / Polypropylene
S 316L Stainless Steel / Hastelloy C
T Hastelloy CW12MW / Hastelloy C

Diaphragm & O-ring Material / Oil (Digit 7)[▲]

A Atlas / PTFE O-rings (Synthetic oil)
M Atlas / PTFE O-rings & FKM drive case elastomers (Mesamoll oil)
E EPDM (EPDM-compatible oil)
X FKM (Synthetic oil)
J PTFE (Food-contact oil)
P Neoprene (Standard oil)
T Buna-N (Standard oil)

[▲] See price list for different actuating oils available with these materials.

Check Valve Material (Digits 8-9)

(Valve Spring / Valve Seat / Valve)

SS Elgiloy / 316L SST / Nitronic 50
TT Hastelloy C / Hastelloy C / Hastelloy C
SC Elgiloy / Ceramic / Ceramic
TC Hastelloy C / Ceramic / Ceramic

Gearbox Ratio (Digits 10-12) NEMA Motors

060 60:1 (56C Motor Frame)
050 50:1 (56C Motor Frame)
040 40:1 (56C Motor Frame)
030 30:1 (56C Motor Frame)
025 25:1 (56C Motor Frame)
020 20:1 (56C Motor Frame)
015 15:1 (56C Motor Frame)
010 10:1 (56C Motor Frame)
007 7.5:1 (56C Motor Frame)
005 5:1 (56C Motor Frame)
A05 5:1 (143/145TC Motor Frame)

Gearbox Ratio (Digits 10-12) IEC Motors

060 60:1 (63 B5 Motor Frame)
050 50:1 (63 B5 Motor Frame)
040 40:1 (63 B5 Motor Frame)
B40 40:1 (80 B5 Motor Frame)
030 30:1 (63 B5 Motor Frame)
B30 30:1 (80 B5 Motor Frame)
025 25:1 (63 B5 Motor Frame)
020 20:1 (63 B5 Motor Frame)
B20 20:1 (80 B5 Motor Frame)
015 15:1 (63 B5 Motor Frame)
A15 15:1 (71 B5 Motor Frame)
010 10:1 (63 B5 Motor Frame)
A10 10:1 (71 B5 Motor Frame)
B10 10:1 (80 B5 Motor Frame)
007 7.5:1 (63 B5 Motor Frame)
A07 7.5:1 (71 B5 Motor Frame)
B07 7.5:1 (80 B5 Motor Frame)
C07 7.5:1 (90 B5 Motor Frame)
005 5:1 (63 B5 Motor Frame)
A05 5:1 (71 B5 Motor Frame)
B05 5:1 (80 B5 Motor Frame)

Base Plate (Digit 13)

C Carbon Steel (Epoxy painted)
S 304 Stainless Steel

Hydra·Cell[®]

METERING SOLUTIONS[™]

Wanner Engineering, Inc.[™]

World Headquarters & Manufacturing

Wanner Engineering, Inc.
1204 Chestnut Avenue
Minneapolis, MN 55403 USA
Phone: 612-332-5681 • Fax: 612-332-6937
Toll-Free Fax (USA): 800-332-6812
Email: sales@wannereng.com
www.Hydra-Cell.com

Regional Office

207 US Highway 281
Wichita Falls, TX 76310 USA
Phone: 940-322-7111
Toll-Free: 800-234-1384
Email: sales@wannereng.com
www.Hydra-Cell.com

Latin American Office

Avenida Senador Vergueiro 608 - Centro
São Bernardo do Campo/São Paulo, Brazil
CEP 09750-000
Phone: +55 (11) 99582-1969
Email: mmagoni@wannereng.com
www.Hydra-Cell-Pumps.com.br

Wanner International Ltd.[™]

Wanner International, Ltd.
Hampshire - United Kingdom
Phone: +44 (0) 1252 816847
Email: sales@wannerint.com
www.Hydra-Cell.co.uk

Wanner Pumps Ltd.[™]

Wanner Pumps, Ltd.
Kowloon - Hong Kong
Phone: +852 3428 6534
Email: sales@wannerpumps.com
www.WannerPumps.com

Shanghai - China
Phone: +86-21-6876 3700
Email: sales@wannerpumps.com
www.WannerPumps.com