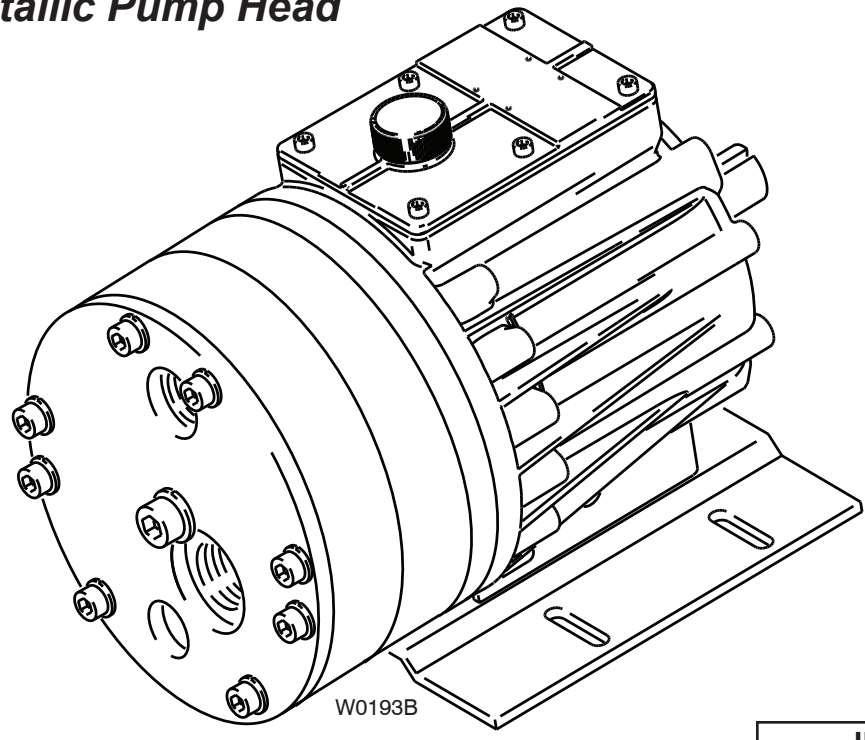


**Parts Manual**  
**G25-991-2403C**

# Hydra-Cell®

## INDUSTRIAL PUMPS

**Models: G-25, H-25**  
**With Non-Metallic Pump Head**

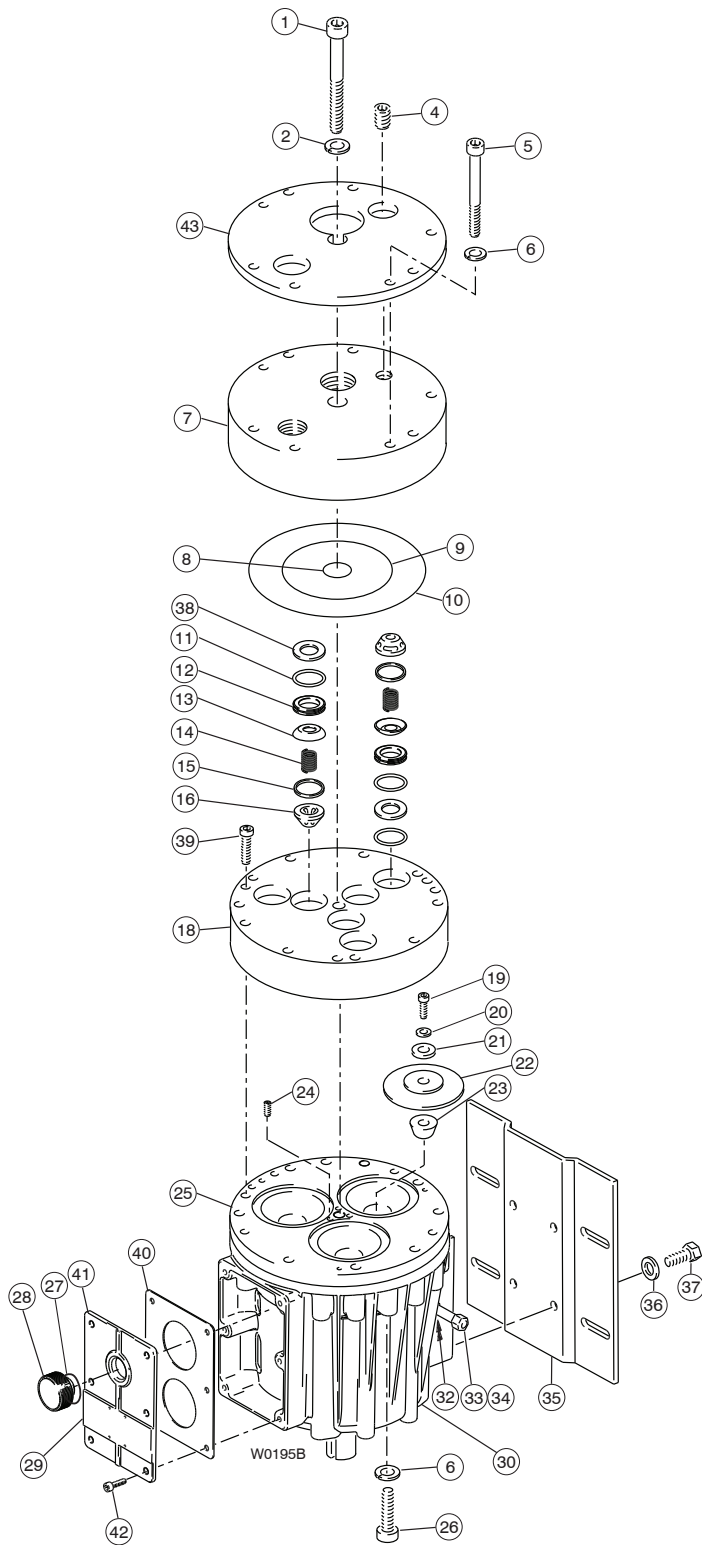


 **Wanner Engineering, Inc.**  
1204 Chestnut Avenue, Minneapolis, MN 55403  
Tel: (612) 332-5681 Fax: (612) 332-6937  
Toll-free fax [US only]: (800) 332-6812  
[www.hydra-cell.com/metering](http://www.hydra-cell.com/metering)  
email: [sales@wannereng.com](mailto:sales@wannereng.com)



<b>IMPORTANT</b>	
Record your pump model number and serial number here for easy reference:	
Model No.	_____
Serial No.	_____
Date of Purchase	_____
When ordering parts or making inquiries about this pump, please mention the model and serial numbers.	

# H/G-25 Fluid End (non-metallic pump head)



Ref. No.	Part Number	Description	Quantity/ Pump
1	G25-081-2017	Screw, Cap, soc hd, 130 mm.....	1
2	G10-084-1010	Washer, Flat .....	1
4	For Model G	.....	.....
	G25-038-2017	Plug, Hastelloy C, BSPT .....	1
	G25-038-2211	Plug, 316 SST, BSPT .....	1
	For Model H	.....	.....
	D25-038-2017	Plug, Hastelloy C, NPT .....	1
	D25-038-2211	Plug, 316 SST, NPT .....	1
5	G25-024-2017	Screw, Cap, soc hd, 170 mm.....	8
6	G25-048-2010	Washer, Split-lock .....	12
7	For Model G	.....	.....
	G25-004-1054	Manifold, Polypropylene, BSPT .....	1
	G25-004-1057	Manifold, Kynar, BSPT .....	1
	For Model H	.....	.....
	D25-004-1054	Manifold, Polypropylene, NPT .....	1
	D25-004-1057	Manifold, Kynar, NPT .....	1

# H/G-25 Fluid End (non-metallic pump head)

Ref. No.	Part Number	Description	Quantity/ Pump	Ref. No.	Part Number	Description	Quantity/ Pump
8	D10-083-2110	O-ring, Center manifold, Buna	1	21	D25-017-1010	Follower, 316 SST	3
	D10-083-2111	O-ring, Center manifold, Viton	1		D25-017-1011	Follower, Hastelloy C	3
	D10-083-2112	O-ring, Center manifold, Neoprene	1	22	D25-018-2312	Diaphragm, Neoprene	3
	D10-083-2113	O-ring, Center manifold, EPDM	1		D25-018-2313	Diaphragm, EPDM	3
	D10-083-2118	O-ring, Center manifold, PTFE	1		D25-018-2315	Diaphragm, Viton-XT	3
9	D25-073-2110	O-ring, Inner manifold, Buna	1		D25-018-2318	Diaphragm, Teflon	3
	D25-073-2111	O-ring, Inner manifold, Viton	1		D25-018-2320	Diaphragm, Buna-N-XS	3
	D25-073-2112	O-ring, Inner manifold, Neoprene	1		D25-018-2325	Diaphragm, Aflas	3
	D25-073-2113	O-ring, Inner manifold EPDM	1	23	D25-016-1010	Plunger	3
	D25-073-2118	O-ring, Inner manifold, PTFE	1	24	G25-082-2010	Set Screw, 16 mm	3
10	D25-109-2110	O-ring, Outer manifold, Buna	1	25	G25-002-1010	Cylinder Housing	1
	D25-109-2111	O-ring, Outer manifold, Viton	1		G25-002-1210	Cylinder Housing Assembly <sup>1</sup>	-
	D25-109-2112	O-ring, Outer manifold Neoprene	1		K25-002-1020	Cylinder Housing, Kel-Cell	1
	D25-109-2113	O-ring, Outer manifold EPDM	1		K25-002-1220	Cylinder Housing Assembly, Kel-Cell <sup>1</sup>	-
	D25-109-2118	O-ring, Outer manifold, PTFE	1	26	H25-087-2010	Screw, Cap, soc hd	4
11	D25-035-2110	O-ring, Valve seat, Buna	6	27	D10-080-2110	O-ring, Oil fill, Buna	1
	D25-035-2111	O-ring, Valve seat, Viton	6	28	D03-039-1030	Cap with O-ring, Oil fill	1
	D25-035-2112	O-ring, Valve seat, Neoprene	6	29	D10-040-2410	Nameplate	1
	D25-035-2113	O-ring, Valve seat, EPDM	6	30	H25-001-1230	Pump Housing <sup>2</sup>	1
	D25-035-2118	O-ring, Valve seat, PTFE	6		H25-001-1231	Pump Housing for C-face Adapter <sup>2</sup>	1
12	D25-020-1010	Valve Seat, 17-4 HT SST	6		G25-001-1218	Pump Housing Assembly <sup>3</sup>	1
	D25-020-1012	Valve Seat, Nitronic 50	6		G25-001-1228	Pump Housing Assembly for C-face Adapter <sup>3</sup>	1
	D25-020-1016	Valve Seat, Tungsten carbide	6	32	D25-038-2211	Plug, Soc hd	2
	D25-020-1017	Valve Seat, Hastelloy C	6	33	D25-077-2210	Pipe, 3/8 in.	1
	D25-020-3300	Valve Seat, Ceramic	6	34	D25-078-2210	Cap, 3/8 in.	1
13	D25-021-1010	Valve, 17-7 HT SST, stamped	6	35	D25-025-1010	Base	1
	D25-021-1011	Valve, Nitronic 50	6	36	G25-054-2010	Washer, Shakeproof	4
	D25-021-1015	Valve, 17-4 HT SST, machined	6	37	G10-029-2010	Screw, Cap, hex-hd	4
	D25-021-1016	Valve, Tungsten carbide	6	38	D25-125-1011	Washer, Dampening, 316 SST <sup>4</sup>	6
	D25-021-1017	Valve, Hastelloy C	6		D25-125-1017	Washer, Dampening, Hastelloy C <sup>4</sup>	6
	D25-021-3300	Valve, Ceramic	6		D25-125-2310	Washer, Dampening, Celcon (Delrin) <sup>4</sup>	6
14	D25-022-3110	Valve Spring, 17-7 HT SST	6		D25-125-2316	Washer, Dampening, Nylon <sup>4</sup>	6
	D25-022-3114	Valve Spring, Elgiloy	6		D25-125-2317	Washer, Dampening, polypropylene <sup>4</sup>	6
	D25-022-3115	Valve Spring, Hastelloy C	6		D25-125-2318	Washer, Dampening, Kynar <sup>4</sup>	6
15	D25-092-2110	Tetra Seal, Buna	6	39	G25-088-2010	Screw, Cap, soc hd	3
	D25-092-2111	Tetra Seal, Viton	6	40	H25-106-2318	Gasket, Cover	1
	D25-092-2112	Tetra Seal, Neoprene	6	41	H25-105-1030	Cover, Housing	1
	D25-092-2113	Tetra Seal, EPDM	6	42	G35-088-2010	Screw, Cap, soc hd	6
	D25-092-2118	O-ring, PTFE (not a Tetra Seal)	6	43	D25-100-1011	Support, Manifold	1
16	D25-023-1010	Retainer, Valve spring, 17-7 HT SST	6				
	D25-023-1017	Retainer, Valve spring, Hastelloy C	6				
	D25-023-2310	Retainer, Valve spring, Celcon	6				
	D25-023-2316	Retainer, Valve spring, Nylon	6				
	D25-023-2317	Retainer, Valve spring, polypropylene	6				
	D25-023-2318	Retainer, Valve spring, Kynar	6				
18	D25-003-1010	Valve Plate, Brass	1				
	D25-003-1012	Valve Plate, 316 SST	1				
	D25-003-1016	Valve Plate, Cast iron	1				
	D25-003-1029	Valve Plate, Nickel alloy C series	1				
19	D25-030-2010	Screw, Flat-hd, 5/8 in., 316 SST	3				
	D25-030-2011	Screw, Flat-hd, 5/8 in., Hastelloy C	3				
20	D25-047-2110	O-ring, Follower, Buna	3				
	D25-047-2111	O-ring, Follower, Viton	3				
	D25-047-2112	O-ring, Follower, Neoprene	3				
	D25-047-2113	O-ring, Follower, EPDM	3				
	D25-047-2118	O-ring, Follower, PTFE	3				

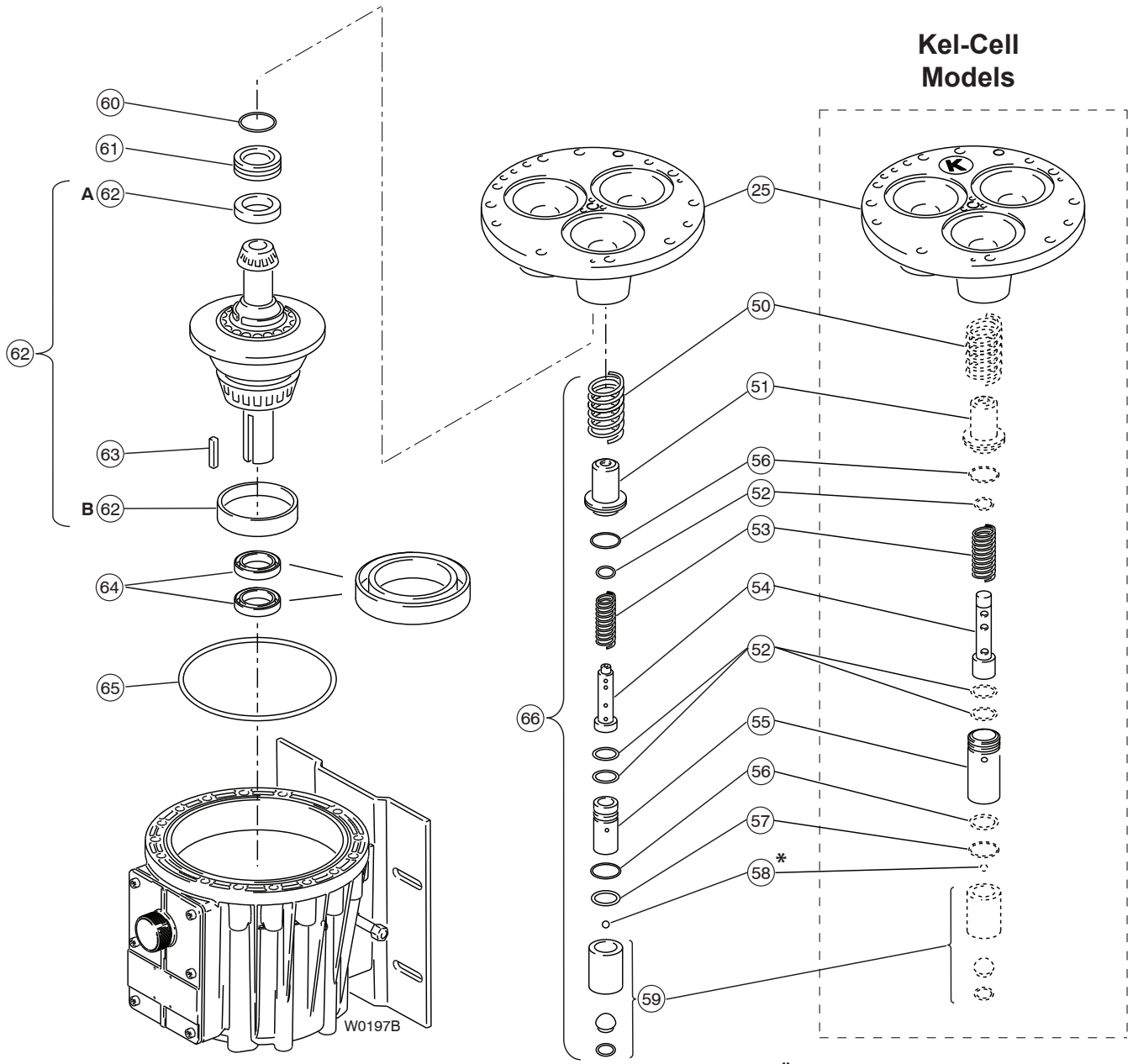
<sup>1</sup> Cylinder Housing Assembly includes: housing (25), bearing adjusting plate (61), O-ring (60), and screws (24).

<sup>2</sup> Pump Housing includes: housing (30), gasket (40), cover (41), screws (42), and plugs (32).

<sup>3</sup> Pump Housing Assembly includes: housing (30), gasket (40), cover (41), screws (42), oil drain (33, 34), plugs (32), cap screws (26), and split-lock washers (6).

<sup>4</sup> Not required on all pumps.

# H/G-25 Hydraulic End (non-metallic pump head)



# H/G-25 Hydraulic End (non-metallic pump head)

Ref. No.	Part Number	Description	Quantity/ Pump
50	D25-019-3111	Spring, Piston return .....	3
51	D25-042-1010	Retainer, Piston return spring .....	3
52	D25-046-2110	O-ring, Valve cylinder, Buna .....	9
53	D25-045-3110	Spring, Sleeve valve.....	3
	K25-045-3110	Spring, Sleeve valve, Kel-Cell.....	3
54	D25-044-1010	Valve Plunger .....	3
	K25-044-1010	Valve Plunger, Kel-Cell .....	3
55	D25-043-1010	Cylinder, Valve .....	3
	K25-043-1010	Cylinder, Valve, Kel-Cell.....	3
56	D25-034-2110	O-ring, Buna.....	6
57	D25-041-1010	Washer, Ball retainer.....	3
58	D25-015-3010	Ball, 1/4 in. ....	12
59	D25-014-1209	Piston, with Foot and Retainer .....	3
60	D25-075-2110	O-ring, Bearing adjusting plate, Buna.	1
61	D25-012-1010	Bearing Adjusting Plate.....	1
62	H25-007-1210	(X) Cam Assembly, 20 gpm, 76 lpm @ 1050 rpm <sup>1</sup> .....	1
	H25-007-1212	(I) Cam Assembly, 12 gpm, 44 lpm @ 1150 rpm <sup>1</sup> .....	1
	H25-007-1213	(S) Cam Assembly, 16 gpm, 59 lpm @ 1150 rpm <sup>1</sup> .....	1
	H25-007-1214	(E) Cam Assembly, 20 gpm, 76 lpm @ 1150 rpm <sup>1</sup> .....	1
63	D25-085-2210	Key, Shaft.....	1
64	H25-031-2112	Seal, Buna, 1-1/8 in. ....	2
65	H25-037-2110	O-ring, Pump housing, Buna, Serial No. 100403 & above .....	1
66	D25-014-1210	Piston Assembly <sup>2</sup> .....	3
	K25-014-1210	Piston Assembly, Kel-Cell <sup>2</sup> .....	3
-	D25-111-2400	Label, Caution .....	1

<sup>1</sup> Cam Assembly includes cam, shaft, wobble plate, bearings, and cups. It is only available as an assembly.

<sup>2</sup> Piston Assembly includes piston, valve cylinder, foot, valve plunger, O-rings, spring retainer, and springs (50-59).

# H/G-25 Series Replacement Parts Kits (non-metallic pump head)

ORDERING INFORMATION: A Replacement Parts Kit contains 11 digits corresponding to customer-specified design options.

1	2	3	4	5	6	7	8	9	10	11
---	---	---	---	---	---	---	---	---	----	----

Digit	Order Code	Description
1-3		<b>Pump Configuration</b>
	D25	For all H-25 Pumps
	G25	For all G-25 Pumps
4		<b>Kit Designator</b>
	K	Complete Fluid End Kit
	D	Diaphragm Kit
	V	Valve Kit (diaphragm not included)
5-6		<b>Pump Head Version</b>
	55	Non-Metallic Pump Head Version
7		<b>Diaphragm &amp; O-ring Material</b>
	E	EPDM
	G	Viton-XT
	J	Teflon®
	P	Neoprene
	T	Buna-N-XS
8		<b>Valve Seat Material</b>
	C	Ceramic
	D	Tungsten Carbide
	H	17-4 PH Stainless Steel
	N	Nitronic 50
	T	Hastelloy® C
	X	Not included in Diaphragm Kit
9		<b>Valve Material</b>
	C	Ceramic
	D	Tungsten Carbide
	F	17-7 PH Stainless Steel – Machined
	H	17-7 PH Stainless Steel – Stamped
	N	Nitronic 50
	T	Hastelloy® C
X	Not included in Diaphragm Kit	
10		<b>Valve Springs</b>
	E	Elgiloy®
	H	17-7 PH Stainless Steel
	T	Hastelloy® C
	X	Not included in Diaphragm Kit
11		<b>Valve Spring Retainers</b>
	C	Celcon
	M	Kynar®
	P	Polypropylene
	X	Not included in Diaphragm Kit

## Kit Contents

Part Number*	Description	Qty	Kit Designator		
			K	D	V
D25-018-___	Diaphragm	3	•	•	
D25-047-___	O-ring, Follower	3	•	•	
D25-109-___	O-ring, Outer manifold	1	•	•	•
D25-073-___	O-ring, Inner manifold	1	•	•	•
D10-083-___	O-ring, Center manifold	1	•	•	•
D25-035-___	O-ring, Valve seat	6	•		•
D25-020-___	Valve seat	6	•		•
D25-021-___	Valve	6	•		•
D25-022-___	Valve spring	6	•		•
D25-092-___	Tetra seal	6	•		•
D25-023-___	Retainer, Valve spring	6	•		•
A01-113-3400	Threadlocker	1	•	•	

\* Last four digits of part numbers with \_\_\_ refer to specific material of construction.



## WANNER ENGINEERING, INC.

1204 Chestnut Avenue, Minneapolis, MN 55403  
 TEL: (612) 332-5681 FAX: (612) 332-6937  
 TOLL-FREE FAX [US only]: (800) 332-6812

www.hydra-cell.com  
 email: sales@wannereng.com