

**Super
T SERIES**
VARIOUS PATENTS APPLY

Equipped With
**ERADICATOR[®]
PLUS**

Self Priming Centrifugal Pump

Model T4F71SC-B

Size 4" x 4"



PUMP SPECIFICATIONS

Size: 4" x 4" (101 mm x 101 mm) NPT - Female.

Casing: Gray Iron 30.

Maximum Operating Pressure 88 psi (606 kPa).*

Semi-Open Type, Continuous Vane Impeller: G R Hard Iron.

Handles 2.25" (57,1 mm) Diameter Spherical Solids.

Impeller Shaft: Stainless Steel 17-4 PH.

Replaceable Self-Cleaning Wear Plate: Hardened Alloy Steel.

Adjustable Back Cover Plate: Gray Iron 30.

Removable Inspection Cover Plate: Gray Iron 30; 12 lbs. (5,4 kg.).

Flap Valve: Neoprene w/Nylon and Steel Reinforcing.

Seal Plate: G R Hard Iron.

Bearing Housing: Gray Iron 30.

Radial Bearing: Open Single Row Ball.

Thrust Bearing: Open Double Row Ball.

Bearing and Seal Cavity Lubrication: SAE 30 Non-Detergent Oil.

Flanges: Gray Iron 30.

Gaskets: Buna-N, Compressed Synthetic Fibers, Vegetable Fiber, PTFE, Cork, and Rubber.

O-Rings: Buna-N, Fluorocarbon (DuPont Viton[®] or Equivalent).

Hardware: Standard Plated Steel.

Brass Pressure Relief Valve.

Bearing and Seal Cavity Oil Level Sight Gauges.

Optional Equipment: Automatic Air Release Valve. 120V/240V Casing Heater. High Pump Temperature Shutdown Kit. G-R Hard Iron Casing. Gray Iron 30 Suction and Discharge Spool Flanges. Tungsten Titanium Carbide Seal. Metal Bellows Seal.

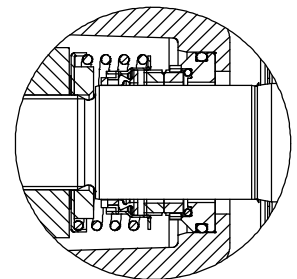
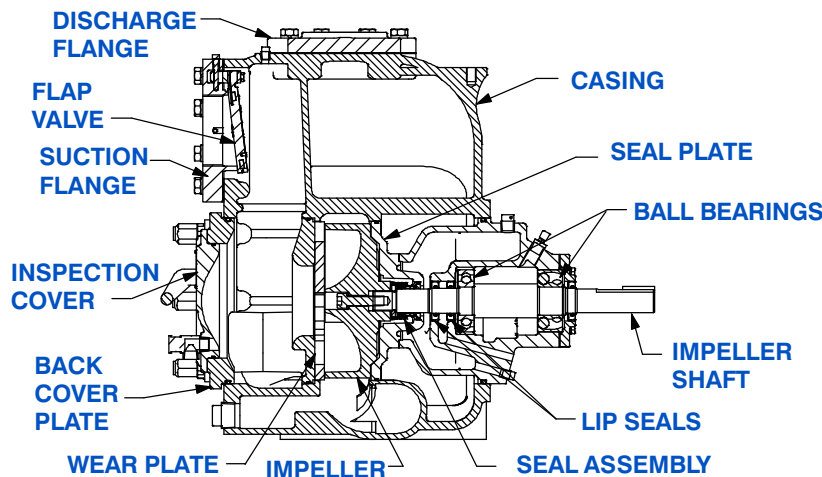
4" ASA (**Specify Model T4F71SC-B /F**).

100 mm DIN 2527 (PN 16) (**Specify Model T4F71SC-B /FM**).

*Consult Factory for Applications Exceeding Maximum Pressure and/or Temperature Indicated.



Shown with Optional Suction and Discharge Spool Flanges (Available in ASA or DIN Standard Sizes).



SEAL DETAIL

Mechanical, Oil-Lubricated, Double Floating, Self-Aligning. Silicon Carbide Rotating and Stationary Faces. Stainless Steel 316 Stationary Seat. Fluorocarbon Elastomers (DuPont Viton[®] or Equivalent). Stainless Steel 18-8 Cage and Spring. Maximum Temperature of Liquid Pumped, 160°F (71°C).*

GR
GORMAN-RUPP
PUMPS

GORMAN-RUPP PUMPS

www.grpumps.com

Specifications Subject to Change Without Notice

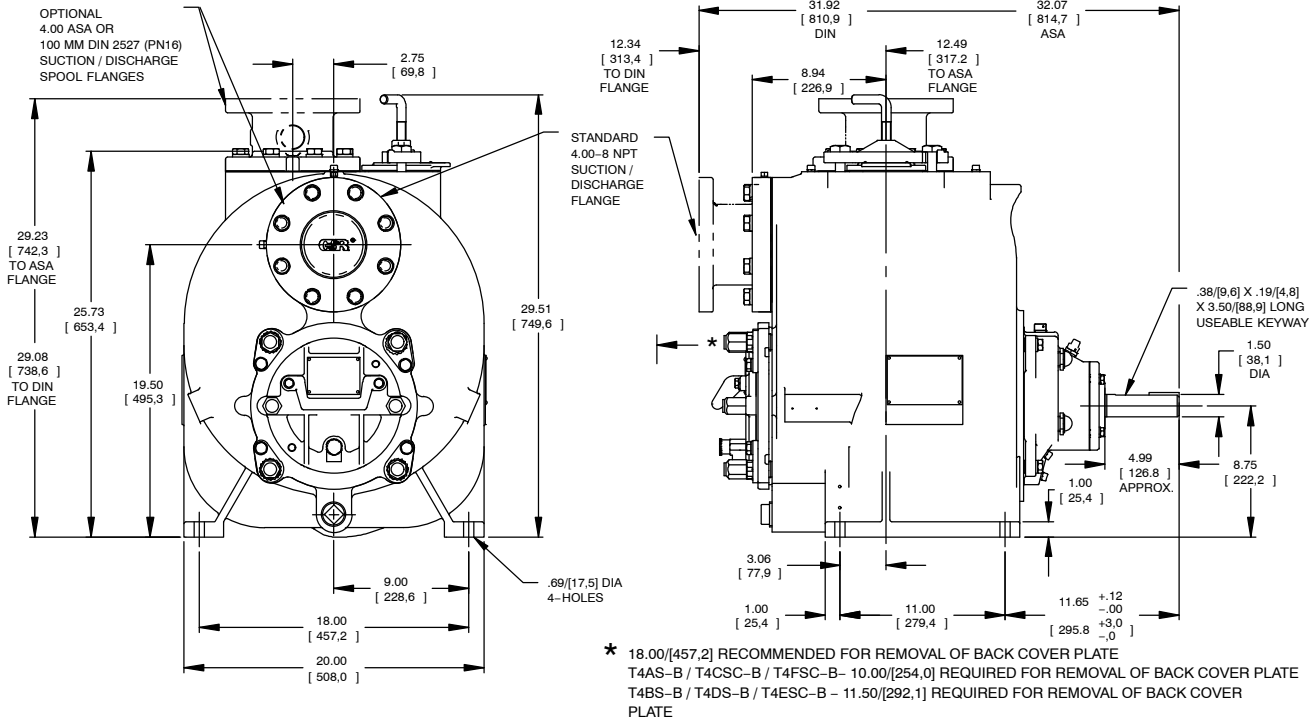
Printed in U.S.A.

Specification Data

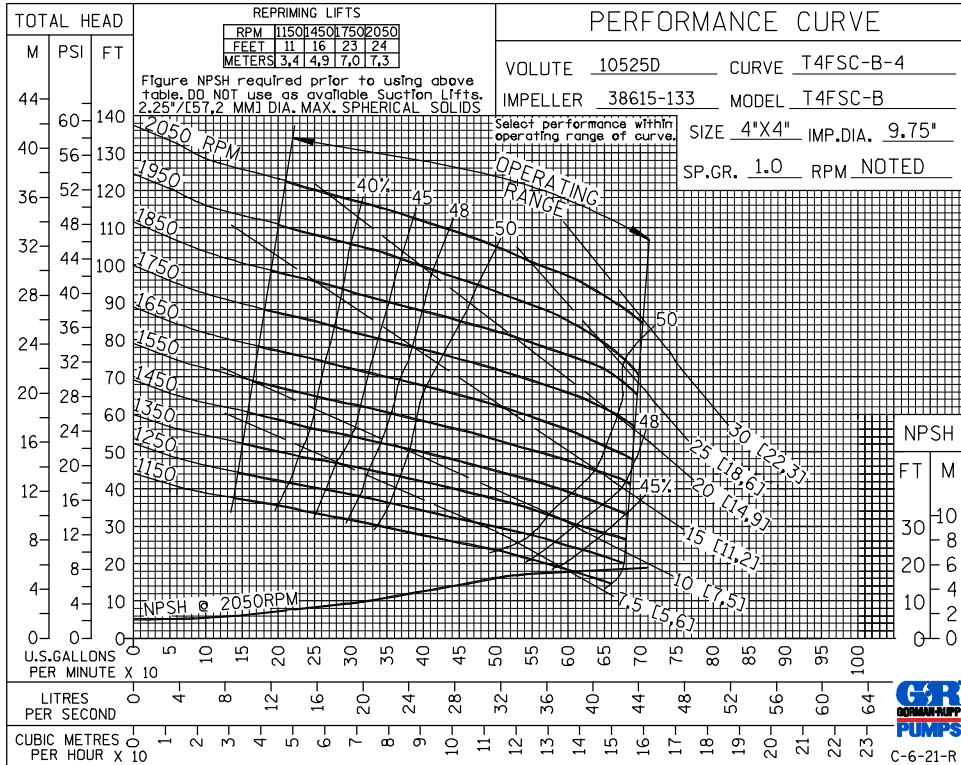
SECTION 55, PAGE 2176

APPROXIMATE DIMENSIONS and WEIGHTS

NET WEIGHT: 640 LBS. (290 KG.)*
SHIPPING WEIGHT: 680 LBS. (308 KG.)*
EXPORT CRATE: 13.5 CU. FT. (0,38 CU. M.)
***ADD 15 LBS. (6,8 KG.) W/EACH SPOOL FLANGE**



OPTIONAL ASA OR DIN STANDARD SUCTION & DISCHARGE SPOOL FLANGES AVAILABLE



GORMAN-RUPP PUMPS

www.grpumps.com

Specifications Subject to Change Without Notice

Printed in U.S.A.