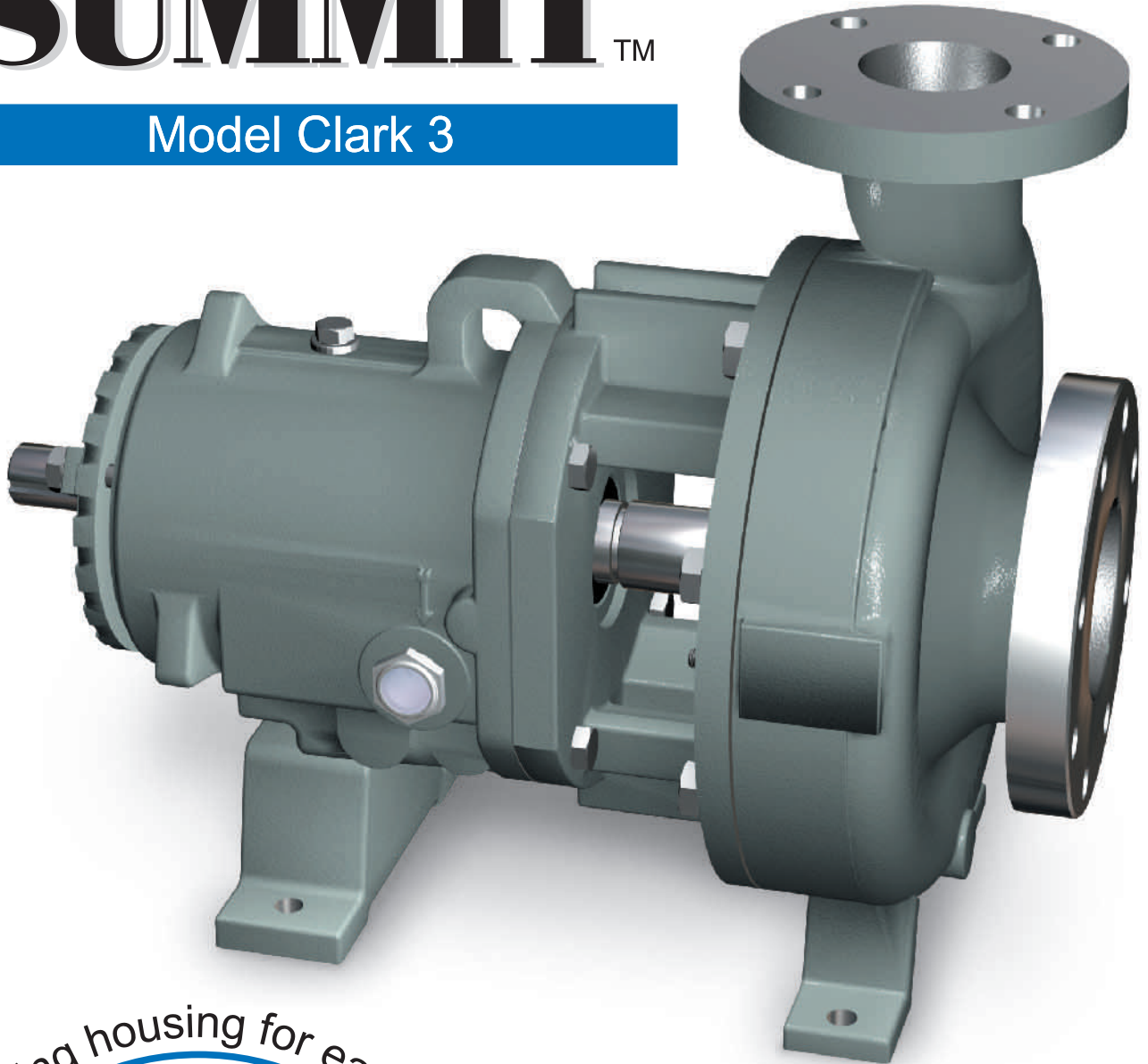
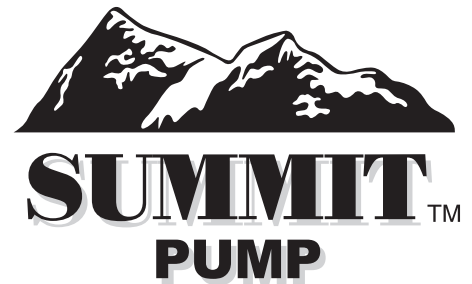


# SUMMIT™

Model Clark 3

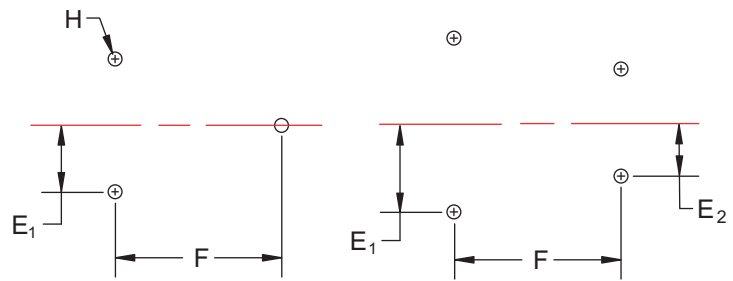
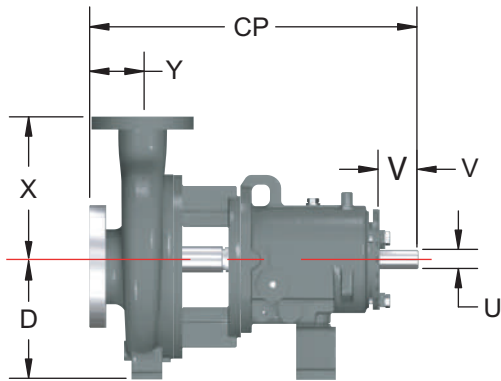
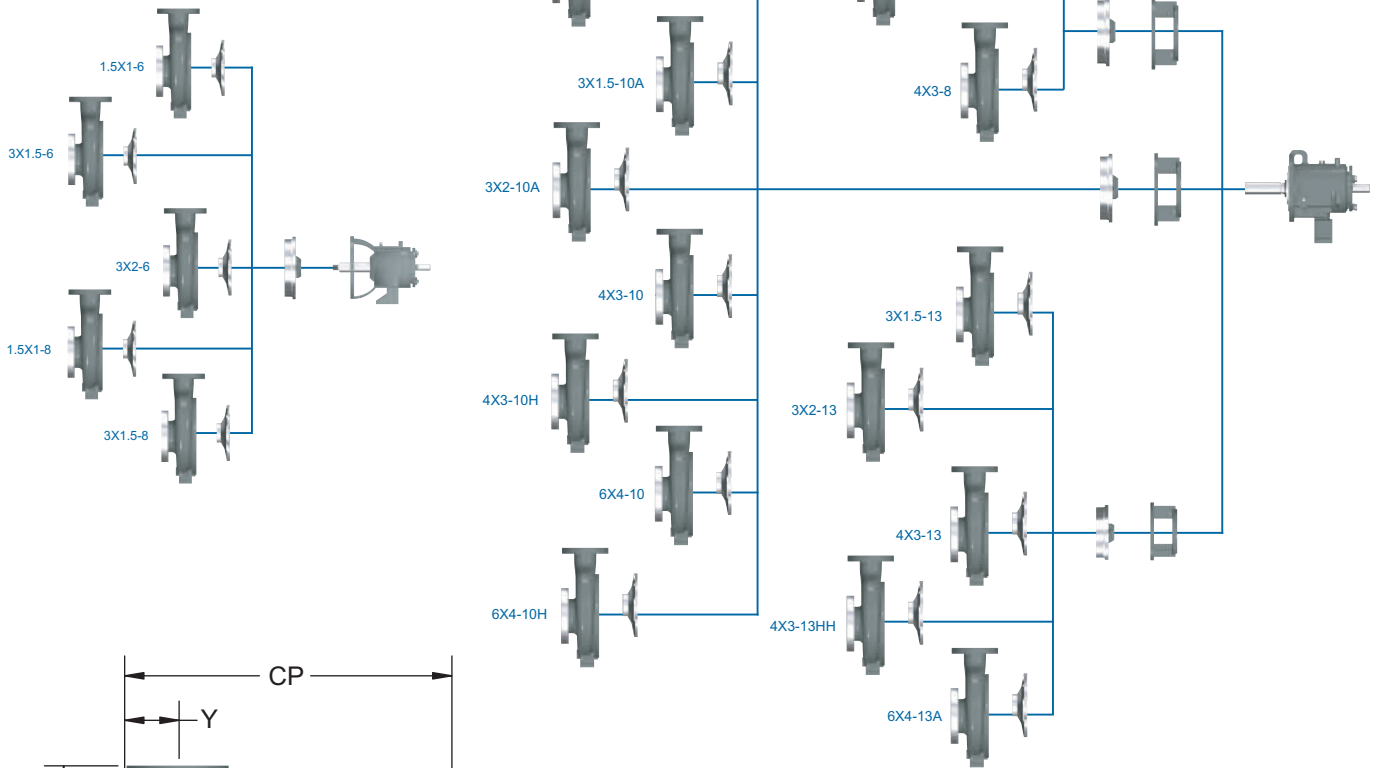


Indexed bearing housing for easy and accurate impeller adjustment.



## Clark 3 Group 2

## Clark 3 Group 1



Clark 3 Group 1

Clark 3 Group 2

Pump Group	ANSI Desig.	Size	Pump Dimensions											
			X in. (mm)	D in. (mm)	E <sub>1</sub> in. (mm)	E <sub>2</sub> in. (mm)	CP in. (mm)	F in. (mm)	H in. (mm)	U		V Min in. (mm)	Y in. (mm)	
											Dia. in. (mm)	Keyway in. (mm)		
Clark3 Group1	AA	1.5 x1-6	6 1/2 (165)	5 1/4 (133)	3 (76)	0	17 1/2 (445)	7 1/4 (184)	5/8 (16)	7/8 (22.3)	3/16x3/32 (4.76x2.38)	2 (51)	4 (102)	
	AB	3x1.5-6												
		3x2-6												
	AA	1.5x1-8												
		3x1.5-8	7 1/2 (190.5)	7 (177.8)										
Clark3 Group2	A60	3x2-8	9 1/2 (242)	8 1/4 (210)	4 7/8 (124)	3 5/8 (92)	23 1/2 (597)	12 1/2 (318)	5/8 (16)	1 1/8 (28.58)	1/4x1/8 (6.35x3.18)	2 5/8 (67)	4 (102)	
	A70	4x3-8	11 (280)											
	A05	2x1-10A	8 1/2 (216)											
	A50	3x1.5-10A	8 1/2 (216)											
	A60	3x2-10A	9 1/2 (242)											
	A70	4X3-10	11 (280)											
	A40	4x3-10H	12 1/2 (318)	10 (254)						1 1/2 (38.1)	3/8x3/16 (9.54x4.76)			
	A80	6X4-10	13 1/2 (343)											
	A80	6X4-10H	13 1/2 (343)											
		A20	3X1.5-13	10 1/2 (266)							1 1/8 (28.58)	1/4x1/8 (6.35x3.18)		
		A30	3X2-13	11 1/2 (292)										
		A40	4X3-13	12 1/2 (318)										
		A40	4X3-13HH	12 1/2 (318)										
	A80	6X4-13A	13 1/2 (343)											